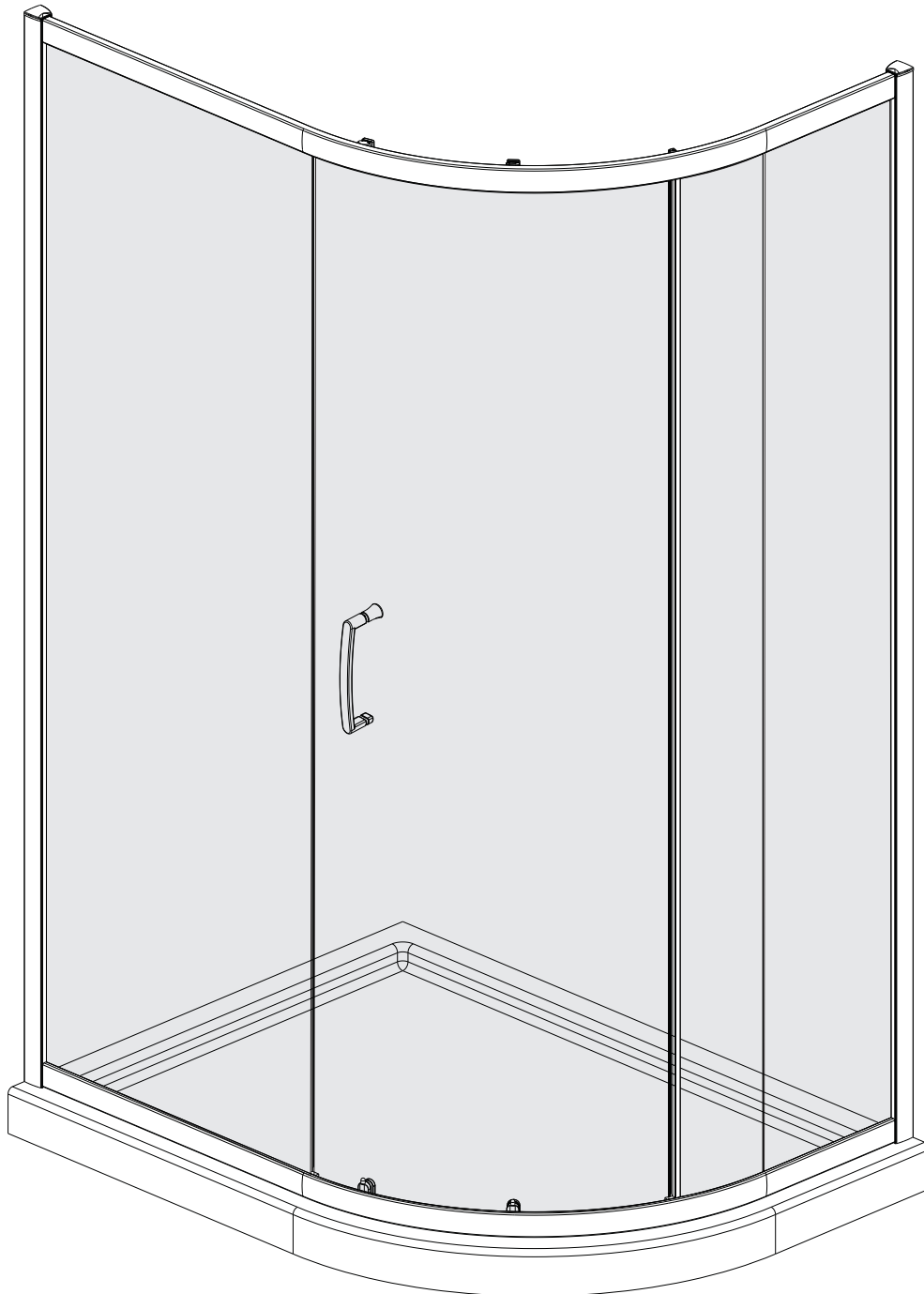


ONE DOOR QUADRANT



INSTALLATION INSTRUCTION

8MO 09

IMPORTANT

Please familiarise yourself with the fitting instructions before commencing fitting.

1. Check that you have the tools required.
2. Check that the installation site is compatible with size of door supplied.
3. Check all the enclosure components.
4. Check that the installation kit is complete.

DO NOT attempt to install the product unless you can tick ALL 4 boxes as satisfactory.

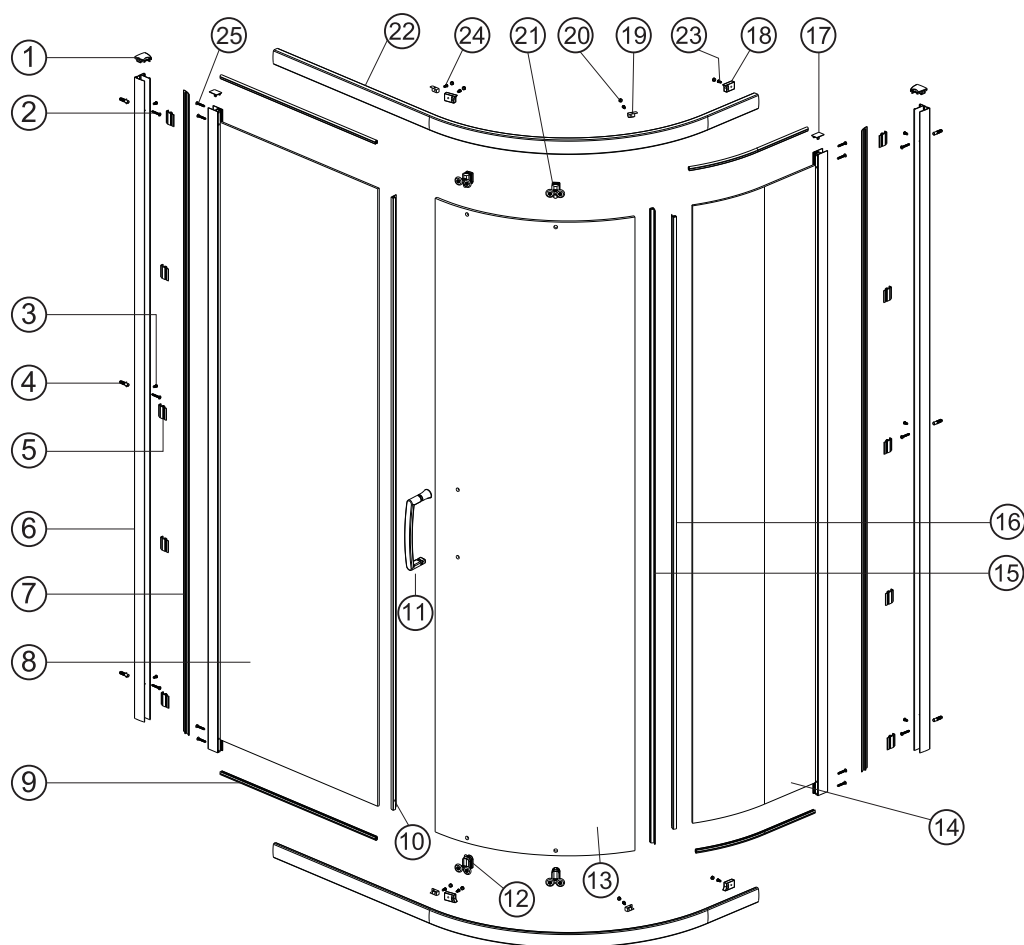
The wall plugs supplied with the installation kit are for use in solid walls. Hollow or 'stud-partition' walls will require alternative fixings. Please consult a hardware supplier for the correct type.

It may also be necessary to consult your tiling supplier about the correct method for drilling your tiles.

USE SAFETY EYEWEAR WHEN DRILLING

Any parts missing or damaged must be reported to your supplier within 5 days of purchase. Inspect shower enclosure before fitting. No claims will be acceptable after product has been installed.

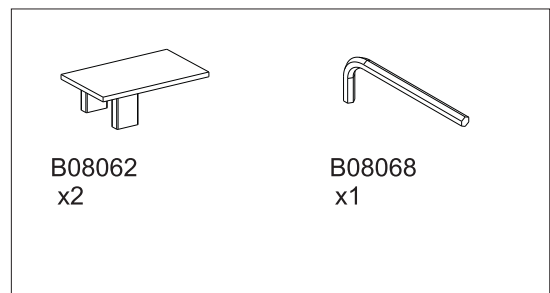
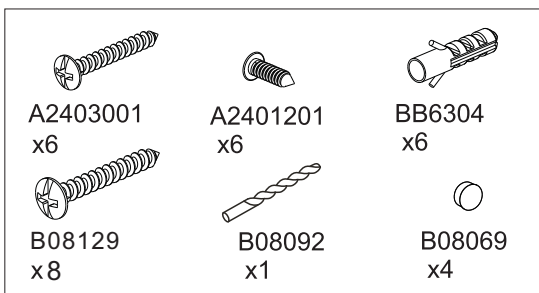
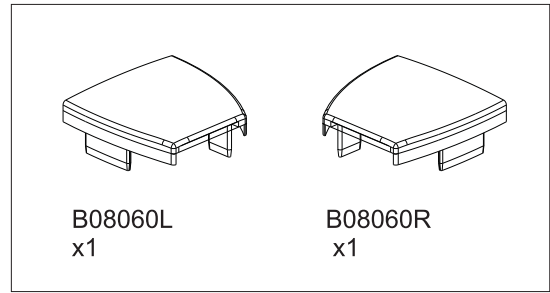
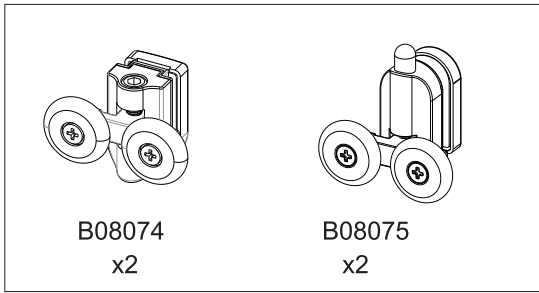
COMPONENTS AND BOX CONTENTS



No.	Description	Qty	Part No.	No.	Description	Qty	Part No.
1	Cover cap for wall profile L/R	2	B08060 L/R	14	Curved fixed panel	1	D
2	Screw ST4x30	6	A2403001	15	Upright water seal for moving panel	1	B08080
3	Flat head screw ST4x12	6	A2401201	16	Upright water seal for curved fixed pane	1	B08117
4	Ø6x30 wall plug	6	BB6304	17	Cover cap for upright profile	2	B08062
5	Cover strip clip	10	B08054	18	Roller stop L/R	4	B08065 L/R
6	Wall profile	2	B08021	19	Glass clip L/R	4	B08120/B08121
7	Cover strip	2	B08026	20	Glass clip cover cap	4	B08069
8	Flat fixed panel	1	A	21	Top double roller	2	B08074
9	Fixed panel top & bottom seal	4	B08119	22	Top and bottom rail	2	E
10	Upright seal for flat fixed panel	1	B08116	23	Roller stop screw ST4x10	4	B08089
11	Handle	1	B	24	Glass clip screw ST4x10	4	B08089
12	Bottom double roller	2	B08075	25	Screw ST4x40	8	B08129
13	Moving panel	1	C				

Note: Further part details for fixing kit available on page 2

FIXING KIT COMPONENTS, TOOLS REQUIRED



Handle as supplied in carton may be different than shown

Tools Required

- 6mm masonry drill bit
- Spanner
- Power drill
- Quality Silicone
- Pencil
- Tape Measure
- #2 Philips Head screw driver
- Spirit level with horizontal and vertical level indicators

IMPORTANT – Installation site

1. Ensure the top surface of the shower tray on which the enclosure will be installed is level in every direction.
- 2.The tiles or other wall finishing should be effectively sealed at the tray edges.
3. Tiles should extend at least to the corners of the tray and a minimum of 2.0 metres from the top of the tray.

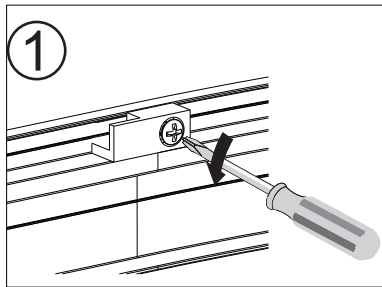
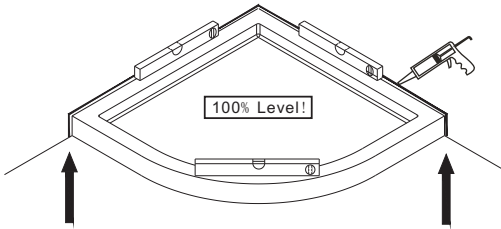
FITTING FRAME

PROCEDURE

TRAY MUST BE 100% LEVEL IN ALL DIRECTIONS.

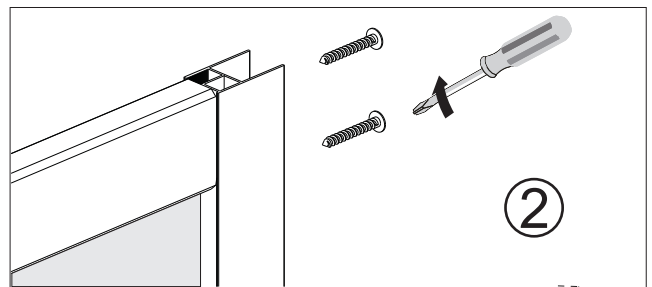
Ensure the shower tray is level in all directions and is properly sealed to the wall. The wall must be tiled down to the top edge of the tray. Do not angle out bottom tile.

TRAY MUST BE SEALED FULLY AROUND WHERE THE TRAY MEETS THE WALL.



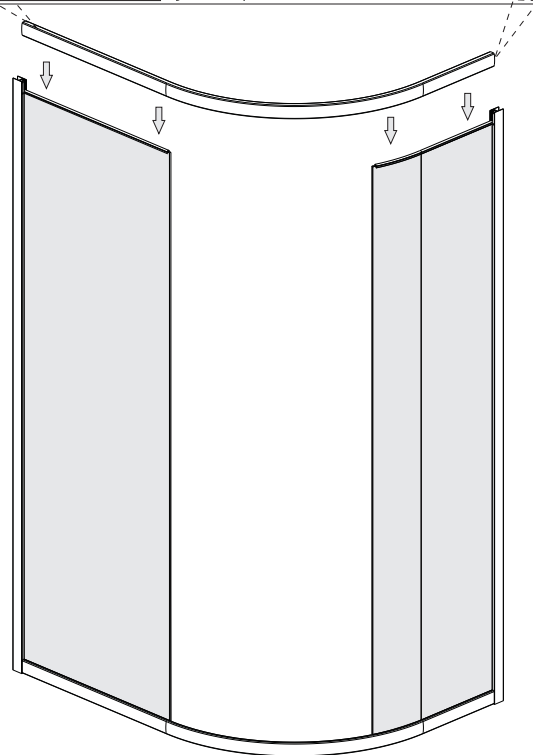
Step 1.

Loosen fixed glass panel clip.
Do not remove the screw.



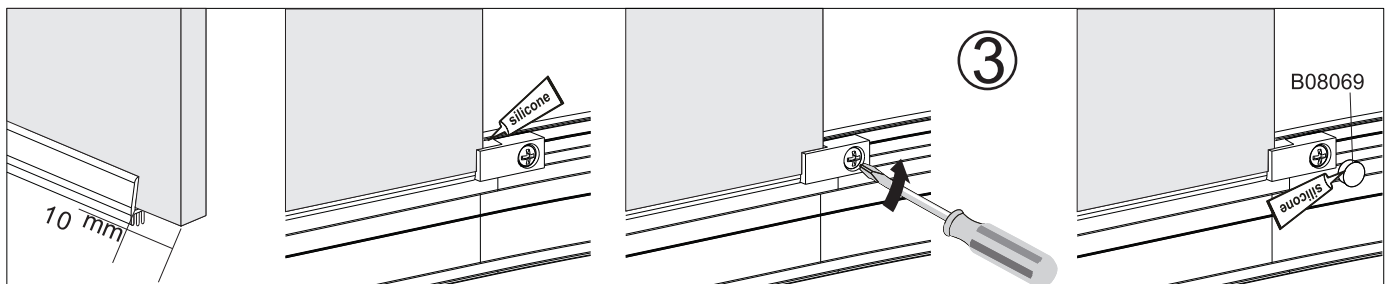
Step 2.

Fix the two fixed panels and upright profiles to the top bottom rail, using **B08129** screw.

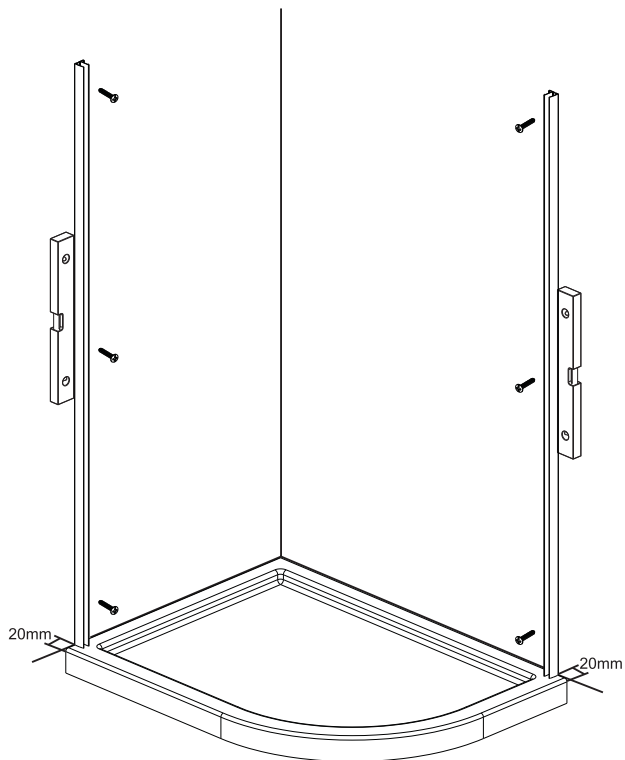
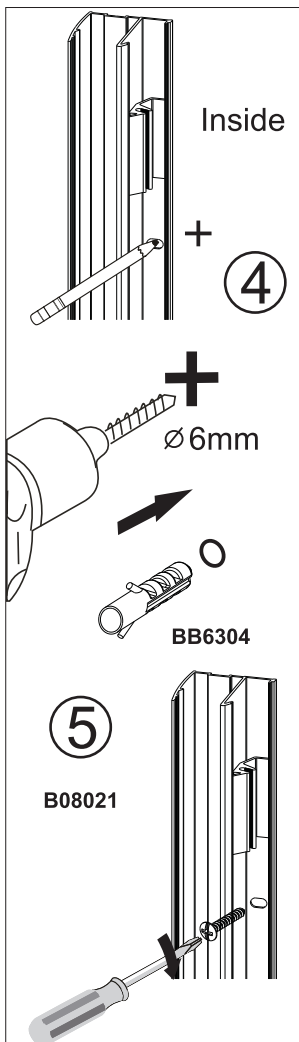


Step 3.

Put a dab of silicone in the corner between glass panel and fixed clip on the bottom when sliding the clip under the glass and back into position.
Ensure bottom seal is present on glass, remove small corner protector/seal if present.



FITTING THE WALL PROFILE



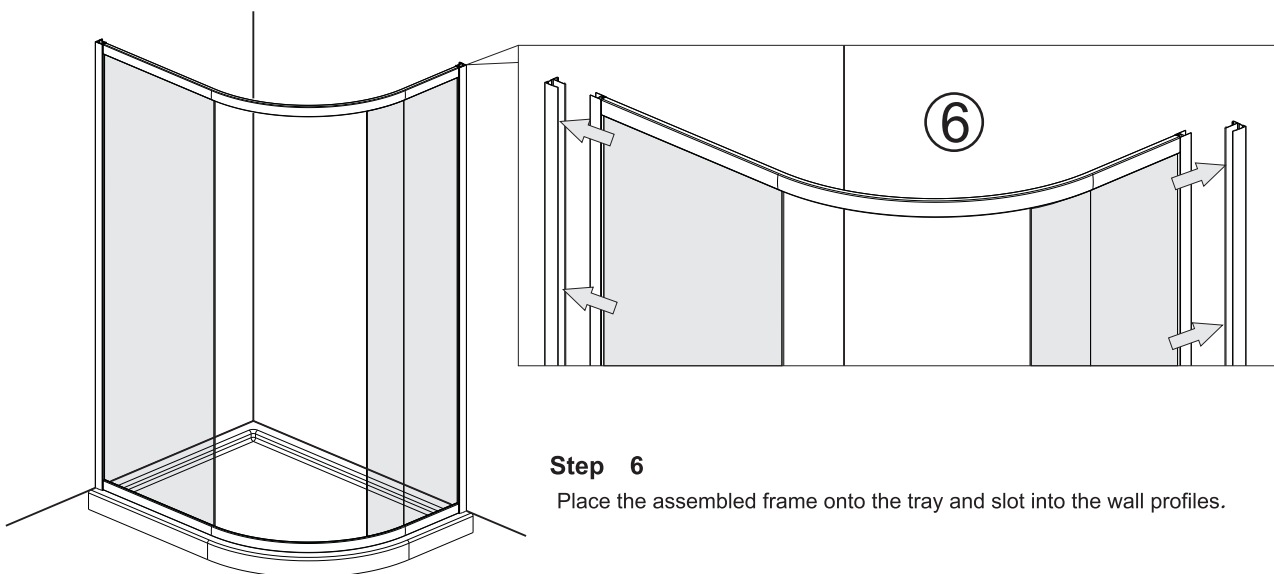
Step 4

Position the wall profiles on the tray. Step in wall profile 20mm from the front edge of the shower tray. Ensure wall profile is plumb. Mark the position for fixing the wall profile to the wall. Drill with 6mm Masonry drill bit and insert wall plug **BB6304**. Do not silicone behind wall profile to wall, see sealing section.

Step 5

Fix the wall profile to the wall with screws **A2403001**. Keep side with fixing holes to the inside.

Note: Second wall profile can be fixed into door frame when lifting onto tray in situations where enclosure is a tight fit.



Step 6

Place the assembled frame onto the tray and slot into the wall profiles.

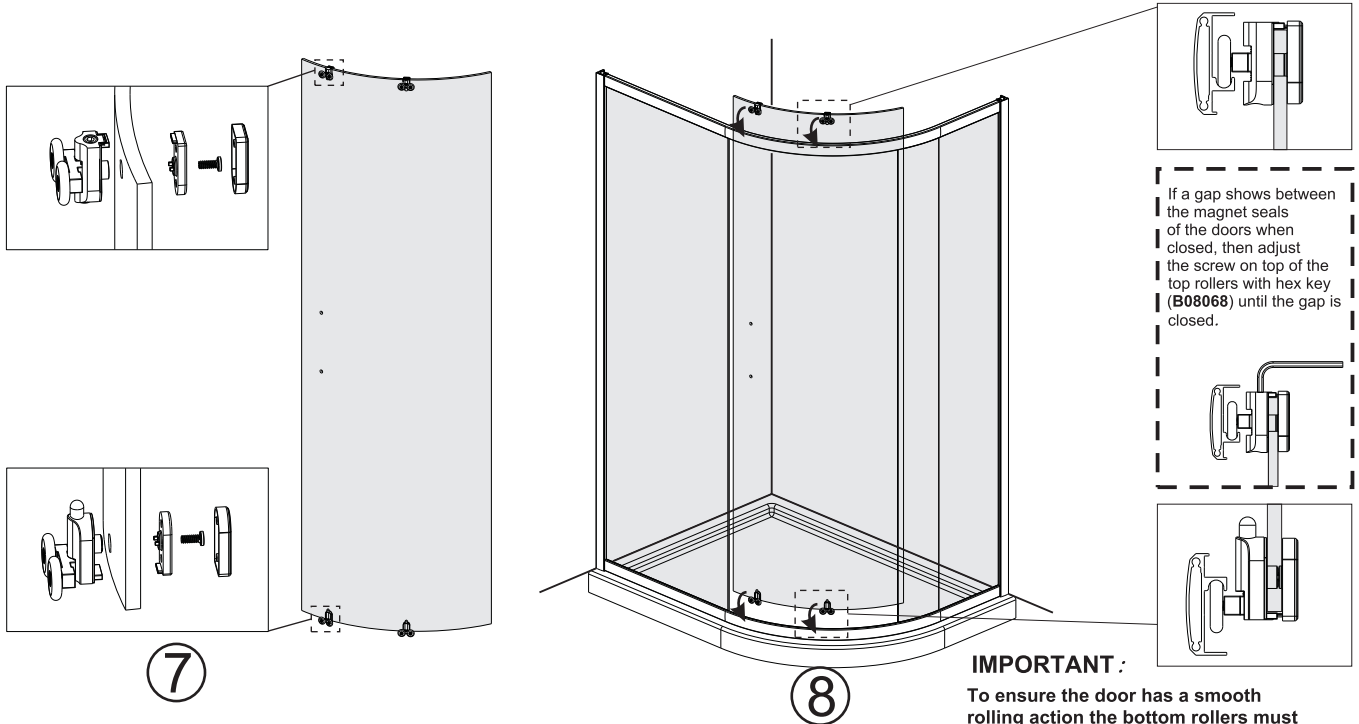
INSTALL MOVING PANEL

Step 7

Fit the rollers, to the curved door (**Note:** spring loaded roller are to be located at the bottom)

Step 8

Hang the doors onto the top track, and push the spring loaded button on the bottom rollers and ease the rollers into the bottom rail,



If a gap shows between the magnet seals of the doors when closed, then adjust the screw on top of the top rollers with hex key (B08068) until the gap is closed.

IMPORTANT :

To ensure the door has a smooth rolling action the bottom rollers must be in contact with inner top edge of the bottom profile. adjust top rollers as set out above.

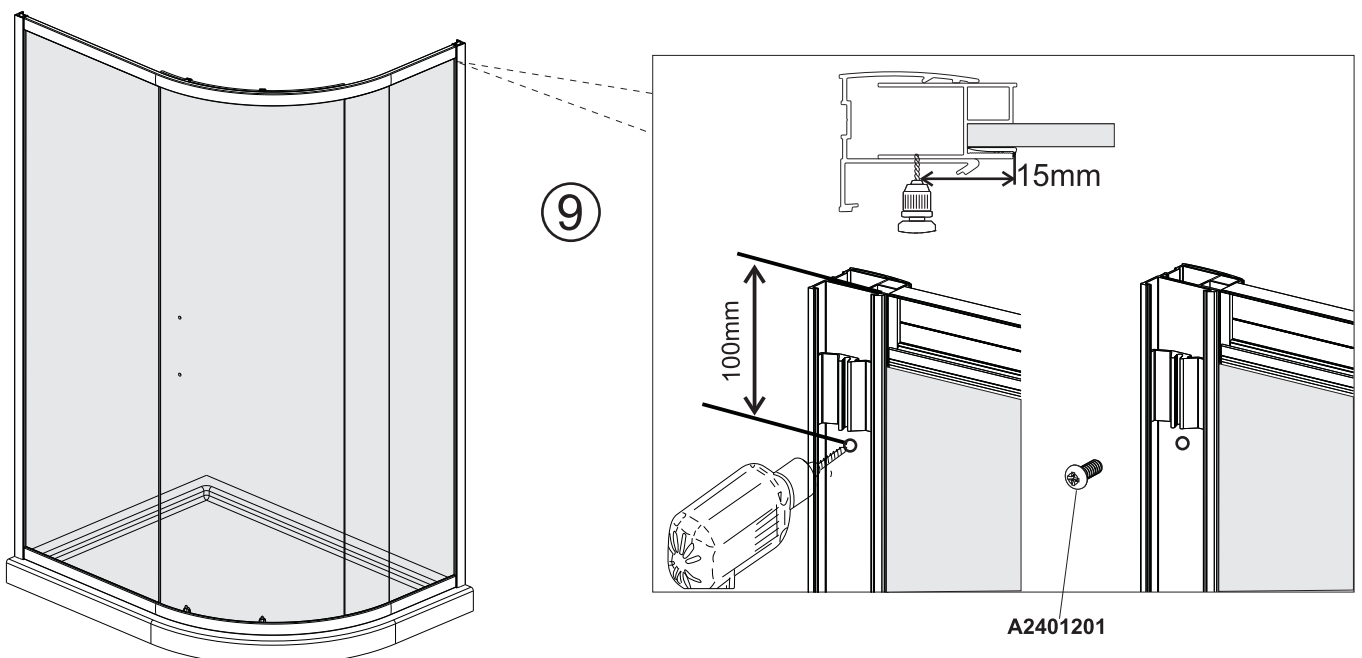
SECURE WALL CHANNEL & UPRIGHT PROFILE

Step 9

Once you have checked that the door opens and the closes correctly, fix the door frame to the wall channels. from inside, drill 3 holes through each wall channel / door frame using 3.0mm drill bit. fix using **A2401201**.

IMPORTANT:

Please follow the right diagram for drilling, so as not to drill into the glass. Ensure there is sufficient overlap between the wall profile and the frame for the screw to fix both profiles.



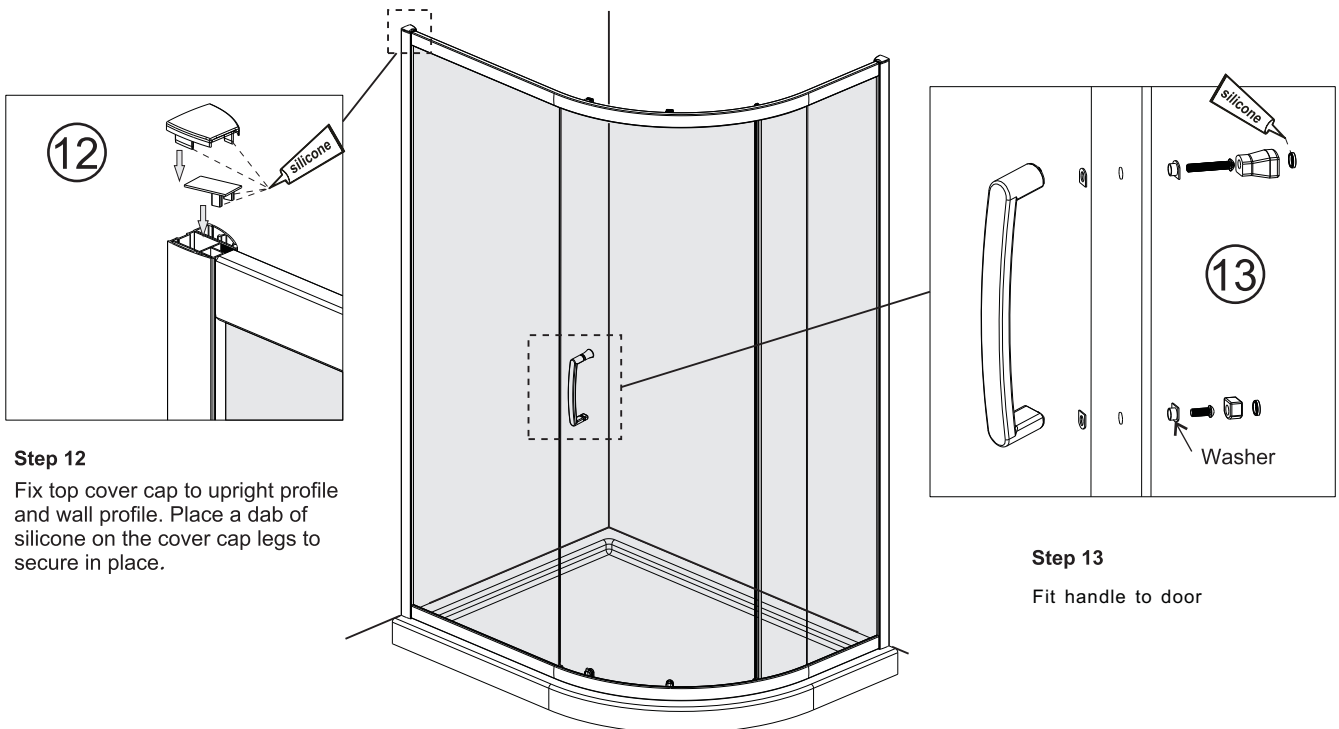
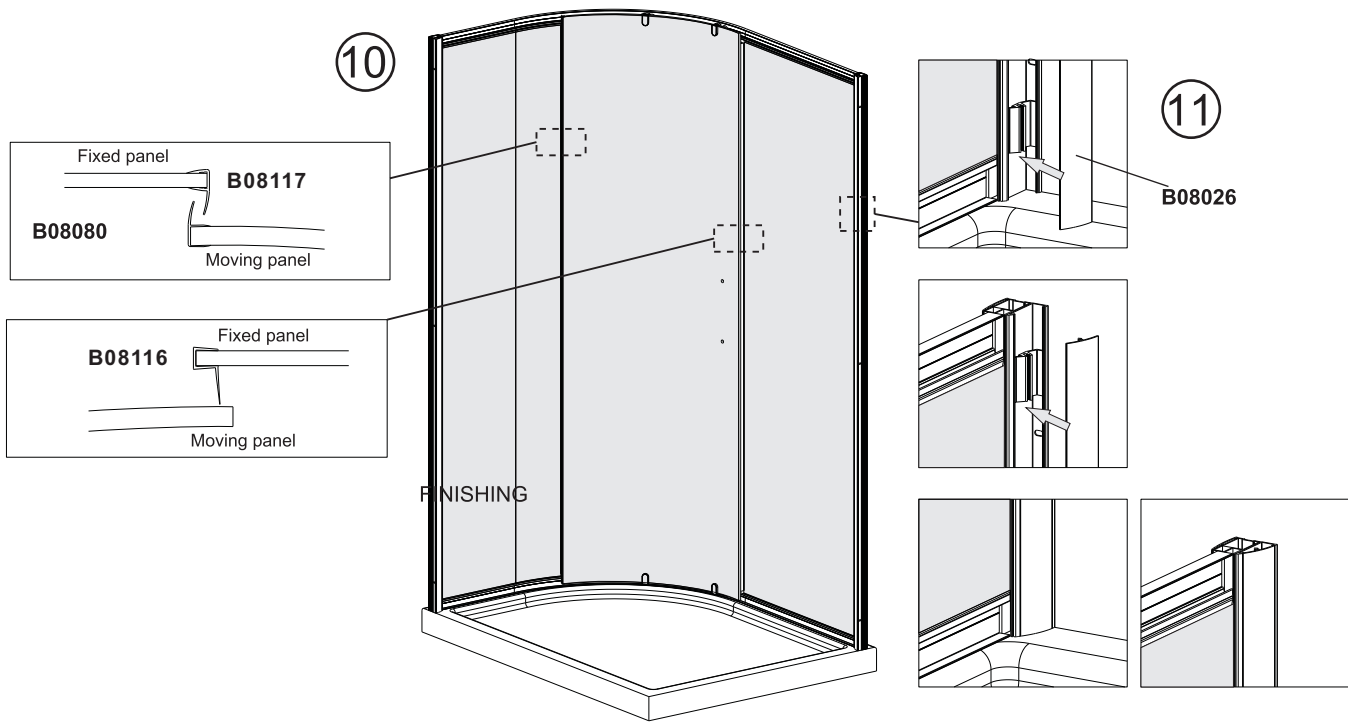
FINISHING

Step 10

Push the upright seals **B08117** and **B08116** onto the fixed panels, and the upright seals **B08080** onto the moving panel. (As shown diagram below).

Step 11

Attach cover strip **B08026** to the wall profile.



Step 12

Fix top cover cap to upright profile and wall profile. Place a dab of silicone on the cover cap legs to secure in place.

Step 13

Fit handle to door

SEALING

Step 14

Use a quality silicone sealant to seal the finished door. Seal joints between the upright profiles and the bottom rail.

Sealing Inside

Seal top to bottom on the **INSIDE** between the wall profile and the wall.

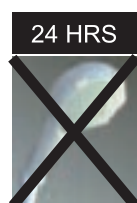
Note: Do not apply sealant on inside of tray.

Sealing Outside

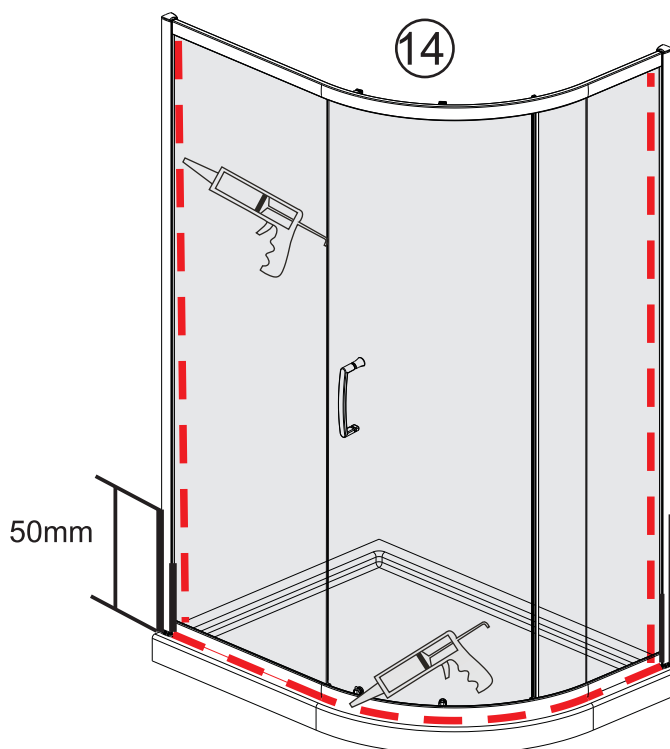
Seal only along bottom rail on the **OUTSIDE** between profile and the tray and approx 50mm up between the wall profile and the wall.

Seal also where wall profile and frame profile overlap 50mm up.

Seal also the joints between the bottom profile and the upright profiles.



DO NOT USE THE
ENCLOSURE FOR
24 HOURS AFTER
SEALING



TROUBLE SHOOTING GUIDE

DOOR NOT ALIGNING

1. Is the tray level ? (See page 3 of the site installation instructions.)
2. Are the wall profile plumb (Vertically aligned and checked with a spirit level)? (See step 4)
3. Are the rollers properly adjusted? (See step 8)

DOOR LEAKING

1. Are the upright seals fitted correctly? (See step 10)
2. Ensure a sufficient bead of silicone is applied between fixed clip and glass on bottom profile and upright seal is fitted to fixed panel. Then remove excess silicone. (See step 2)
3. Is the unit correctly sealed with silicone? (See step 14)

OTHERS

1. Do the finished measurements on the tray comply with the adjustments listed in the product specifications book?
2. Have the fixed panels been properly secured? (See step 1&2).