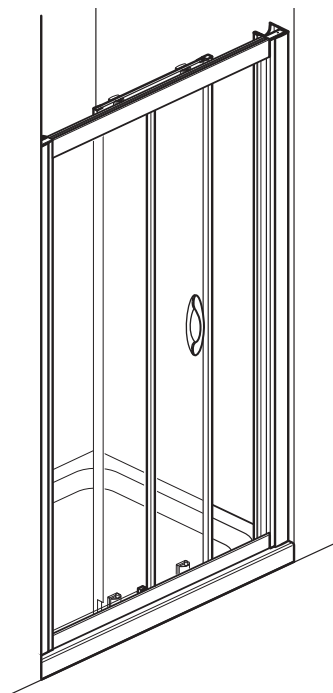
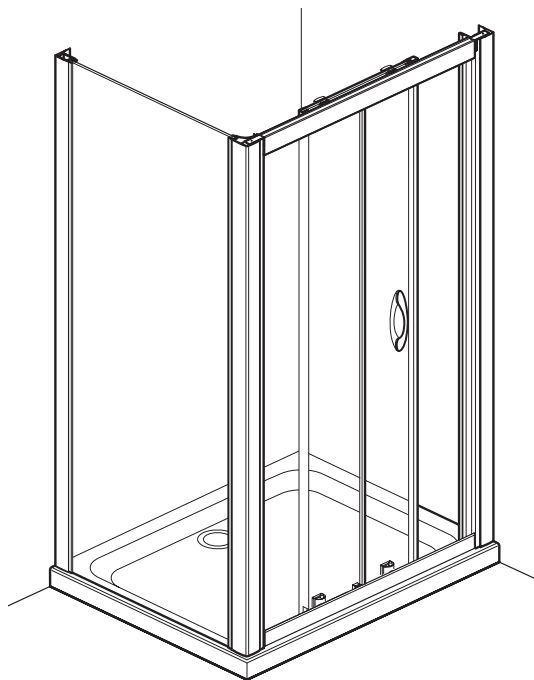


PREMIER SLIDING DOOR / SIDE PANEL



Sliding Door - Pages 2 - 8



Sliding Door & Side Panel - Pages 9 - 16

***Please read these instructions carefully and keep for future reference.
Incorrect fitting will invalidate the guarantee.***

SAFETY

- Handle glass with great care.
Although the glass is very tough, sharp impacts can damage both the glass and metal frame.
- Make sure there are no hidden pipes or cables hidden in the wall where you intend to drill.
- Wear safety goggles, shoes and appropriate clothing.

BEFORE INSTALLATION

- Check that the shower tray is level in all directions. The enclosure will not sit correctly on an uneven surface. If uneven, the wall channels may not fit and the doors may not shut correctly.
- The enclosure should be fitted on tiled walls which are sealed with waterproof grout.
- There must be a good silicone seal between the rim of the shower tray and the wall.
- The shower tray and the enclosure must match in size. Attempting to fit the incorrect size of enclosure to the shower tray will result in water leaks.
- Always check very carefully that components are vertical.
- To avoid damage, use the opened out packaging to build the enclosure on.

Equipment needed:

Drill, 6.5mm Masonry Bit, 4.5mm & 3mm Metal Bits (general), Crosshead Screwdriver, 16mm Spanner, Spirit Level, Pencil, Tape Measure, Masking Tape, Silicone Sealant.

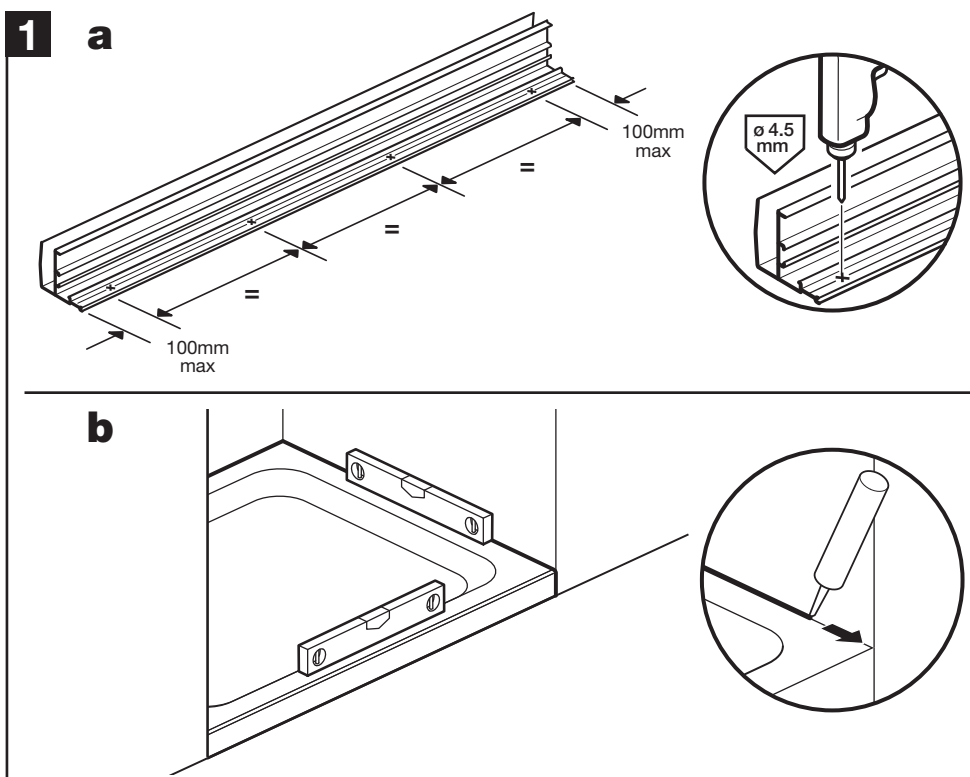
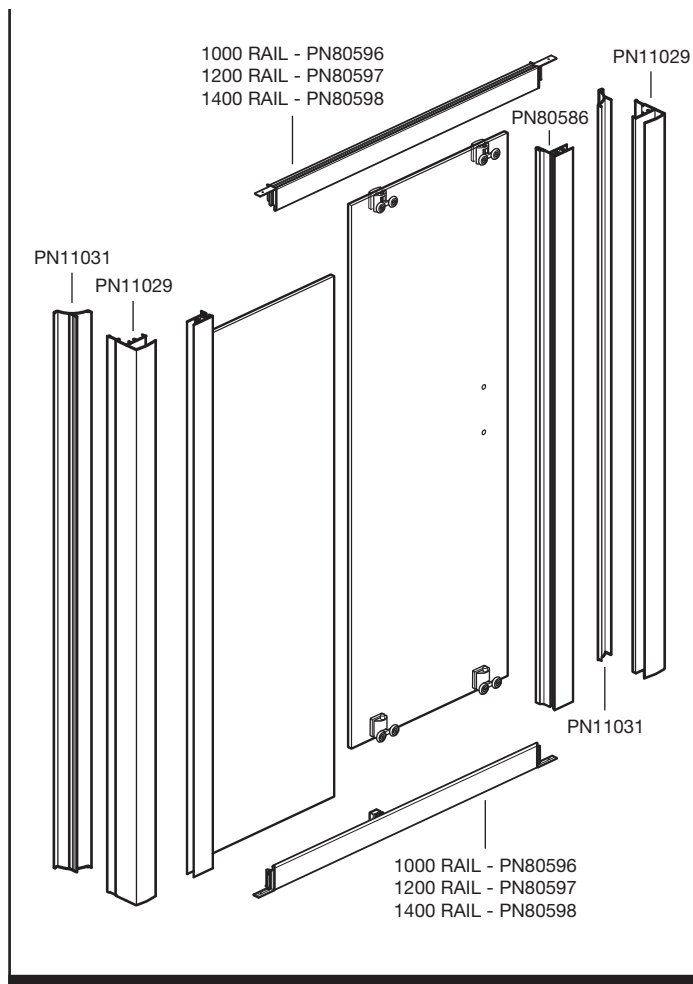
Note: The screws and wall plugs supplied are for masonry walls. For lightweight walls i.e. stud partition, plasterboard etc, use the correct type of fixings.

CUSTOMER CARELINE 01746 713410

Check contents of pack before installation. If anything is missing, contact our Customer Careline for assistance.

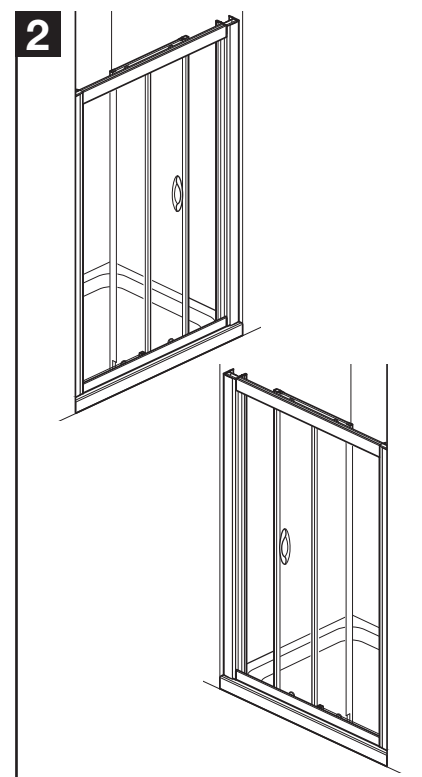
CUSTOMER CARELINE: 01746 713410

	PN3230	8		PN60220	1
	PN3225	8		1000 = PN40261	2
	32mm PN60014	2		1200 = PN40262	
	13mm PN60093	2		1400 = PN40263	
	12mm PN3222	2		PN40308	1
	10mm PN50359	8		PN40310	1
	PN50370	6		PN40309	1
	PN80618	2		PN40010	1
	PN4745	2		PN50366	2/2
	PN60490	4		PN50365	
	PN60506	1			



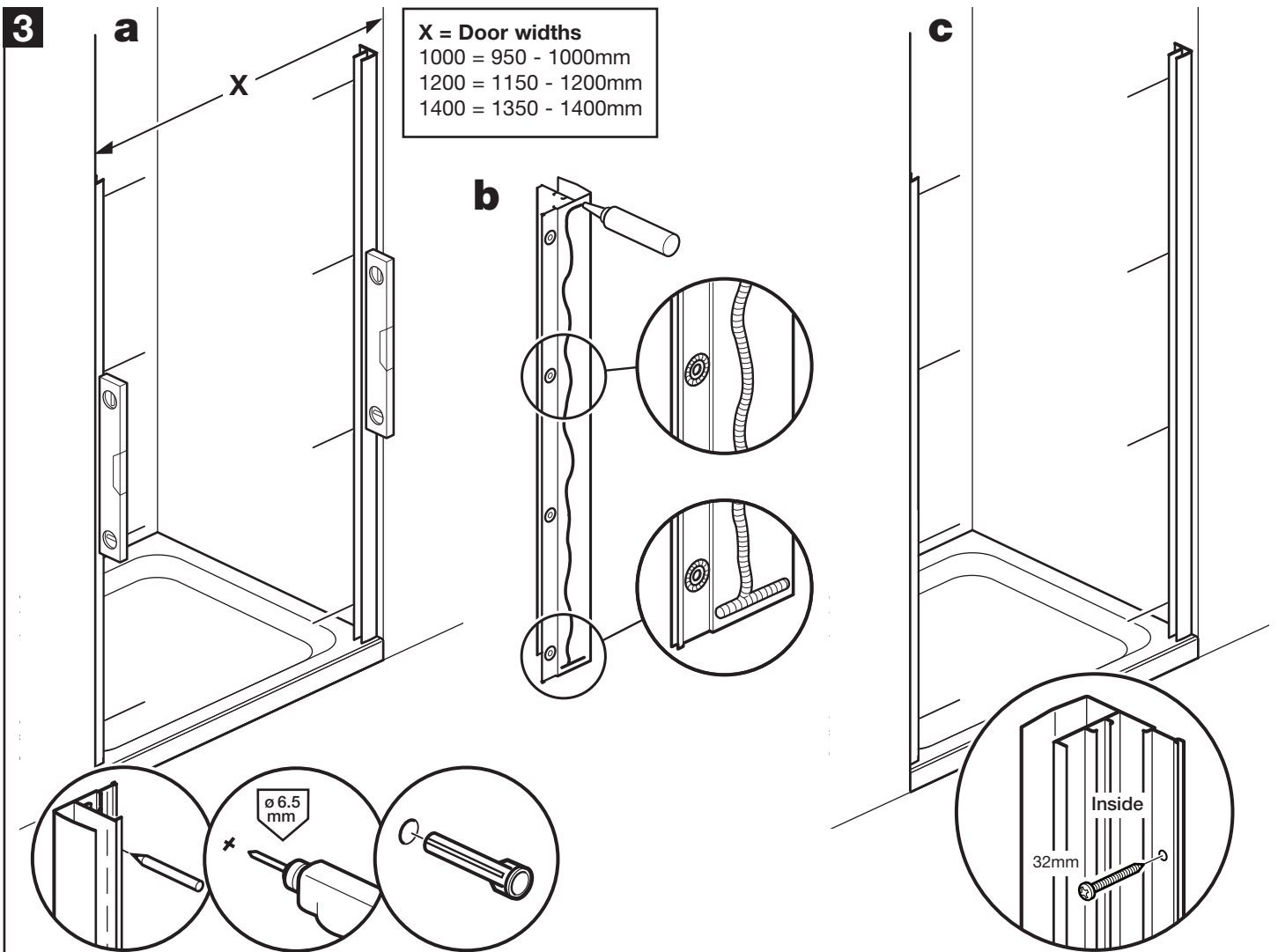
a: Drill holes in both wall channels at the points shown (in the groove) using a 4.5mm drill bit.

b: Ensure the shower tray is level in all directions. **IMPORTANT:** Clean the tray and seal the gap between the tray surface and tiles. It is important that the tray is sealed right up to the tray edge so that the bottom of the wall channel is sealed. Failure to do this will cause water to leak under the wall channel and between the tray and tiles, resulting in damp patches on the wall and under the tray.

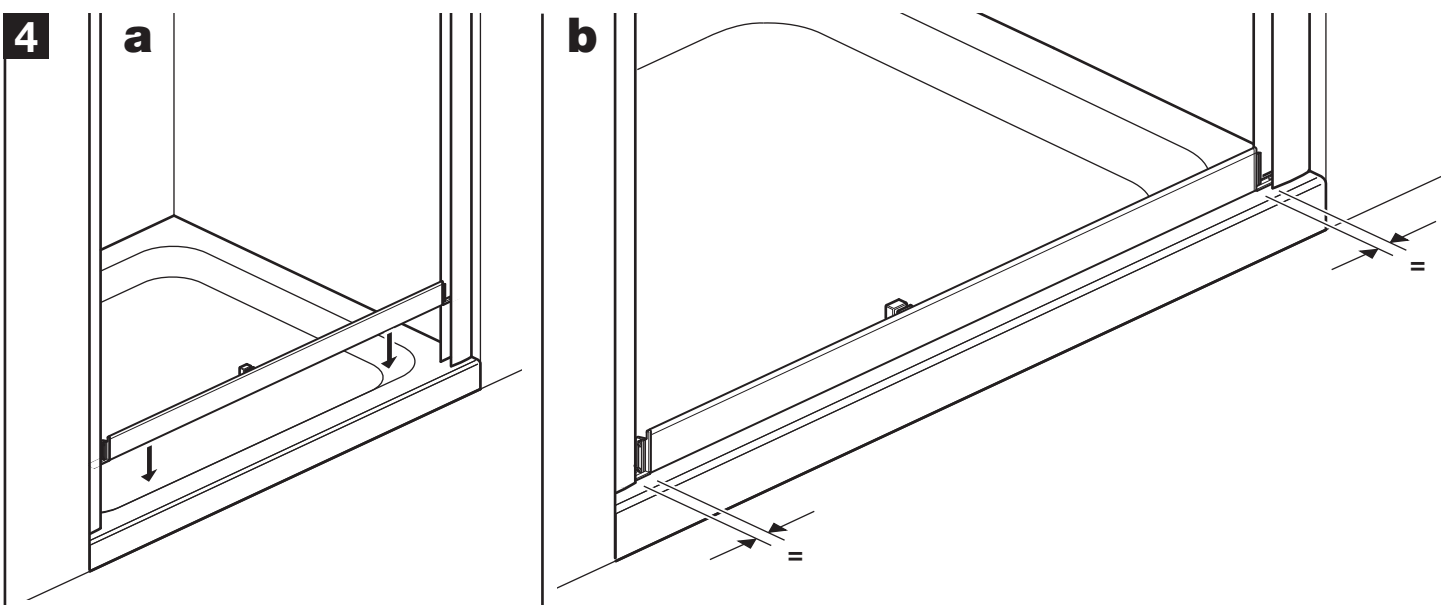


The enclosure can be assembled with the door on either the right or left side of the assembly (see step 6).

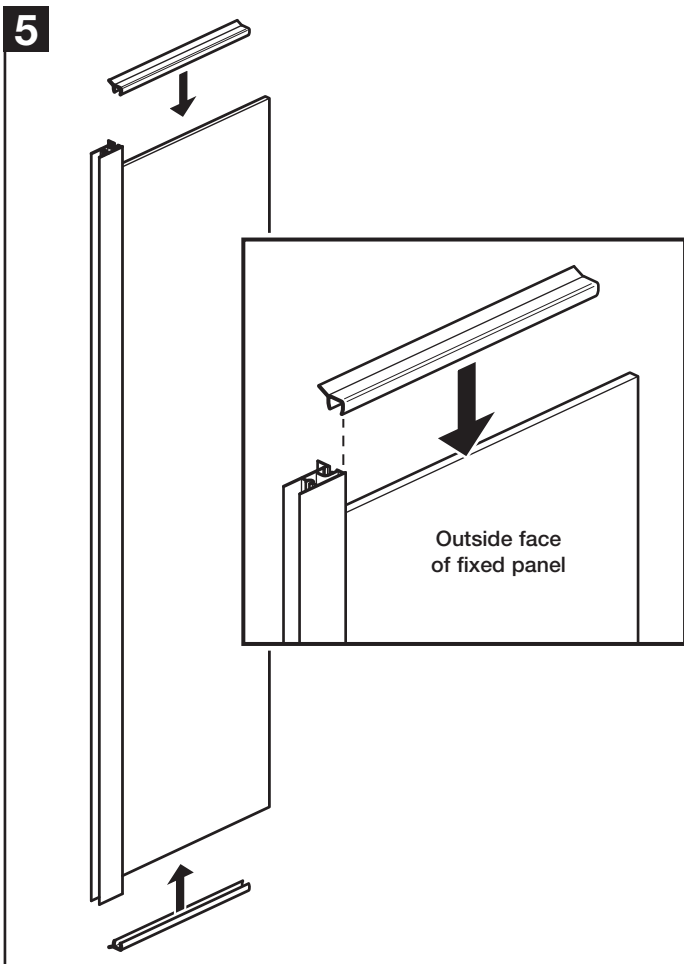
Note: The following instructions show the enclosure with the door on the right hand side.



- a:** Place the wall channels on the tray ensuring they are vertical and an equal distance back from the front of the tray. Place masking tape against the wall before marking drill hole positions, this will help prevent the drill bit slipping. Drill 6.5mm holes, 30mm deep and insert the wall plugs. **b:** Apply sealant to the back of the wall channels and around the fixing holes. **c:** Fix the wall channels to the walls using 8 x 32mm screws.

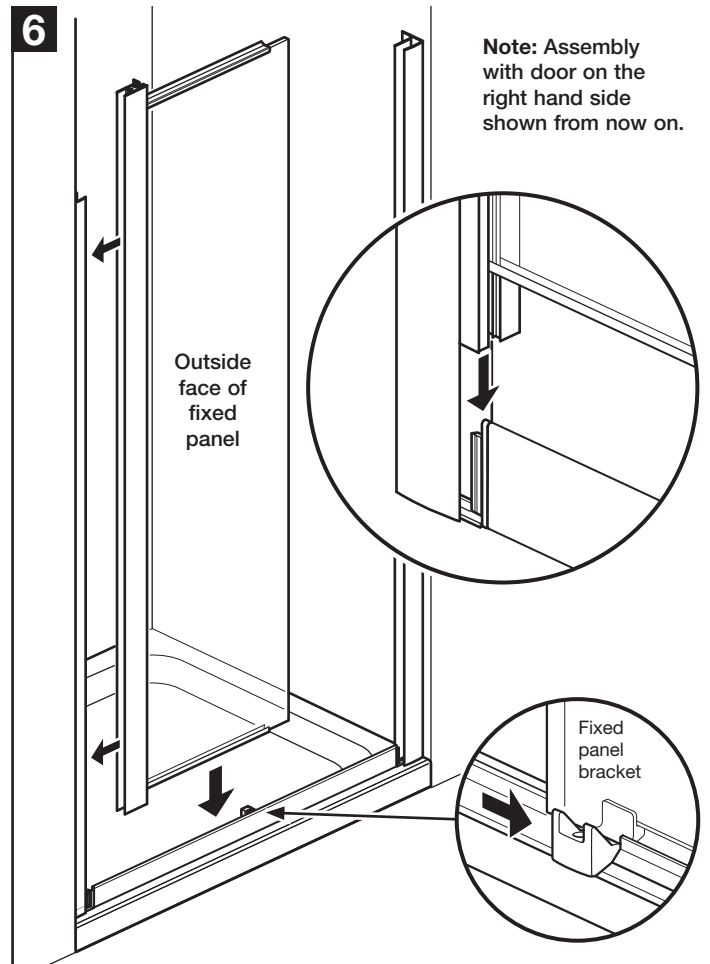


- a:** Place the bottom rail onto the tray with its end mouldings inserted into the wall channels. **b:** Centre the bottom rail between the wall channels so that there is an equal gap at each end.



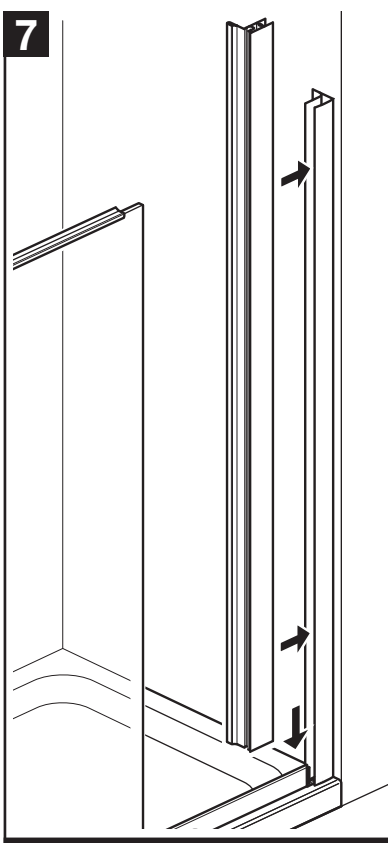
Push fit the 'short flipper seals' onto the top and bottom edges of the fixed panel - flush against the metal profile. **Ensure the flipper seal 'flaps' are on the inside of the fixed panel.**

Note: Wetting the glass with water will help to fit the seals.

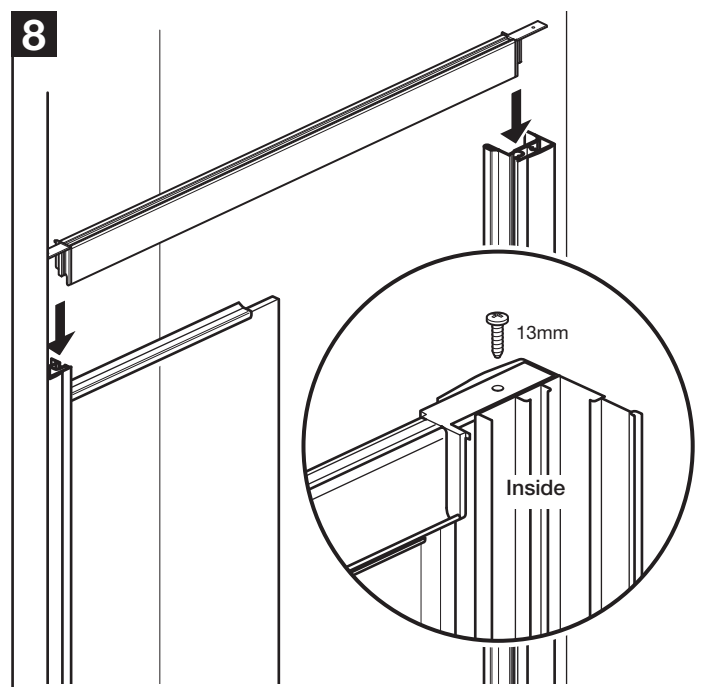


Note: Assembly with door on the right hand side shown from now on.

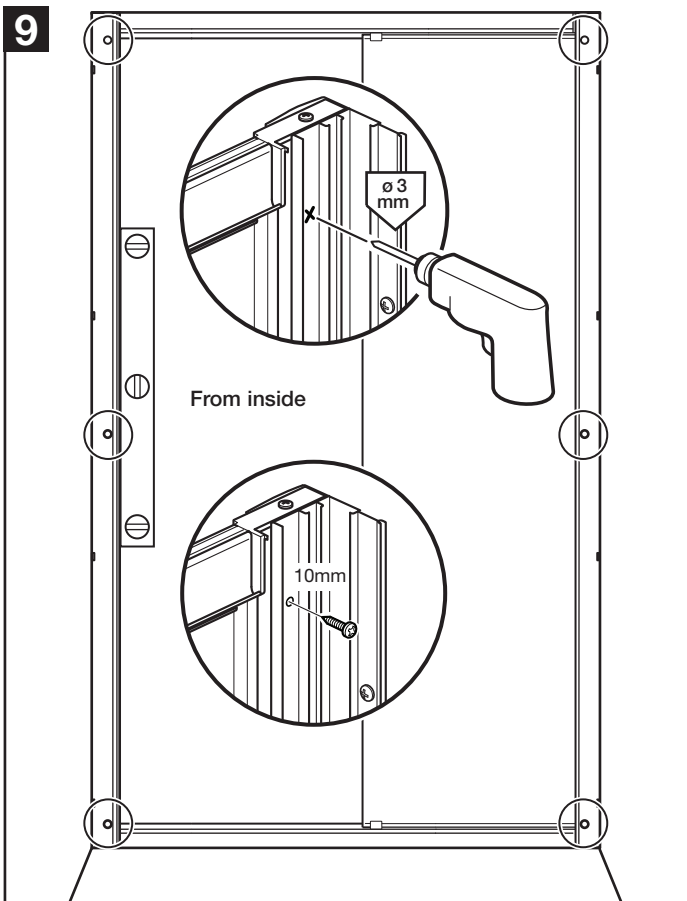
Position the fixed panel into the required wall channel and slide down so it fully slots onto the end moulding of the bottom rail. Inside the enclosure, ensure the panel sits in the 'fixed panel bracket', slide the bracket along the rail and position under the panel as shown.



Position the 'magnetic profile' into the other wall channel and slide down so that it fully slots onto the end moulding of the bottom rail.



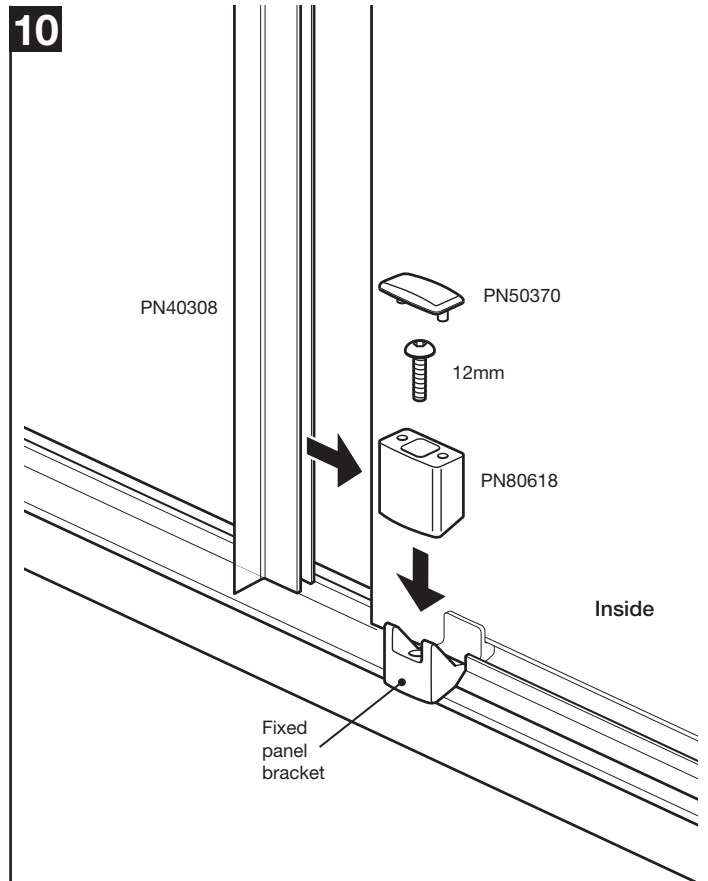
Position the top rail onto the top of the 'fixed panel' and 'magnetic profile'. Adjust the position of the fixed panel bracket as required. Line up the holes and fix using 2 x 13mm screws.



Check the door frame is vertical and is centrally positioned between the wall channels.

From inside the enclosure, in the positions shown, drill through the wall channels into the fixed panel and magnetic profile using a 3mm drill bit, **do not drill too deep!**

Fix using 6 x 10mm screws.

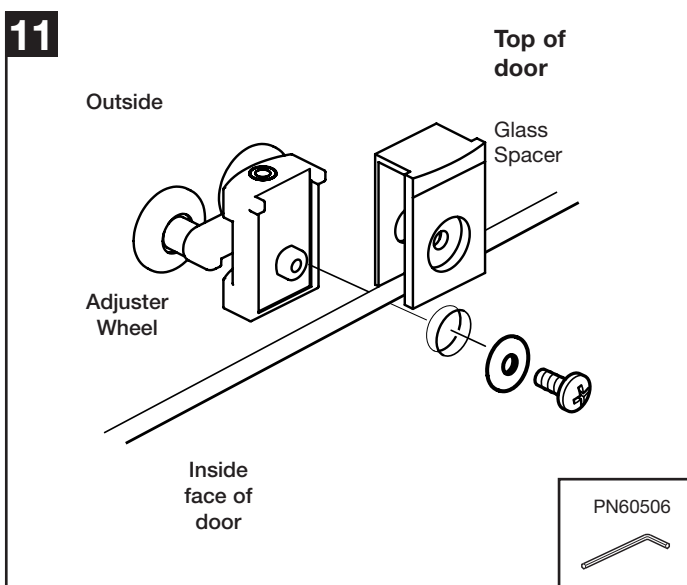


Fit 'flipper seal' (PN40308) onto the edge of the fixed panel. **Ensure the flipper seal 'flap' is on the inside.**

Note: Wetting the glass with water will help to fit the seal.

From inside the enclosure, place fixed panel retainer covers (PN80618) onto the top and bottom fixed panel brackets.

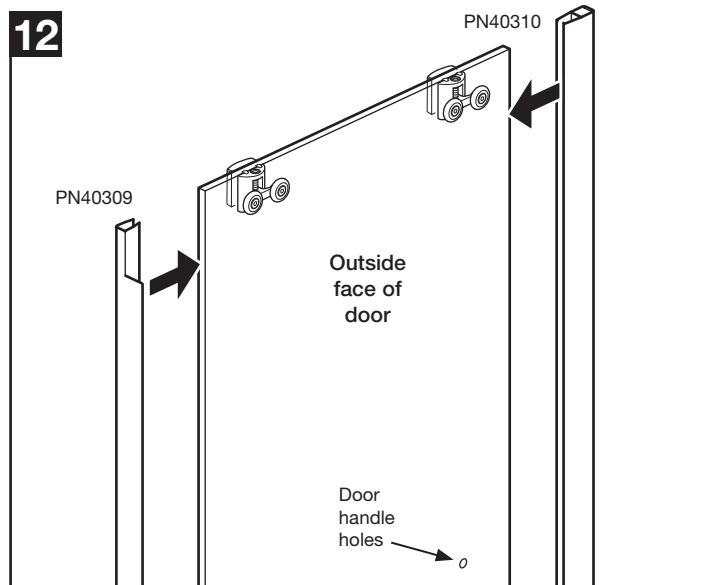
Fix using the 12mm screws and fit the retainer caps (PN50370).



Option: Changing the door for left hand opening

Remove both top wheel assemblies from the door by removing the fixing screws.

Remove the bottom 'plunger' wheel assemblies and re-fit to the top of the door. Re-fit the 'top' wheel assemblies to the bottom and rotate the door. **IMPORTANT:** Ensure the wheels are fitted back onto the 'outside' face of the door.

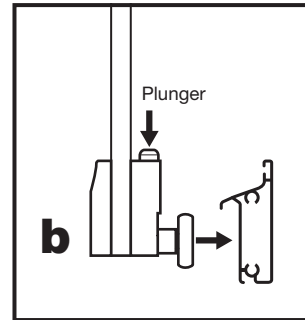
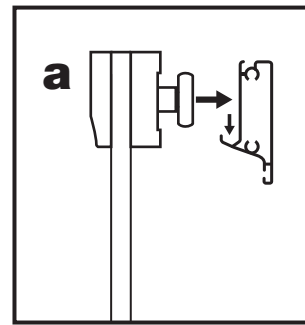
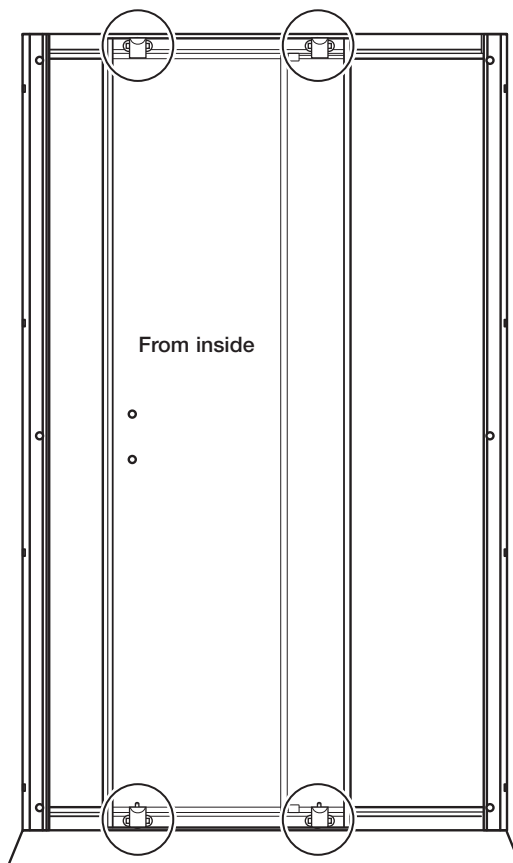


Push fit 'flipper seal' (PN40309) onto the back edge of the door. **Ensure the flipper seal 'flap' is on the outside of the door.**

Test the 'magnetic seal' (PN40310) against the 'magnetic profile' to ensure it is the correct way around. Push fit magnetic seal onto the closing edge of the door (the same side as door handle hole).

Note: Wetting the glass with water will help to fit the seals.

13

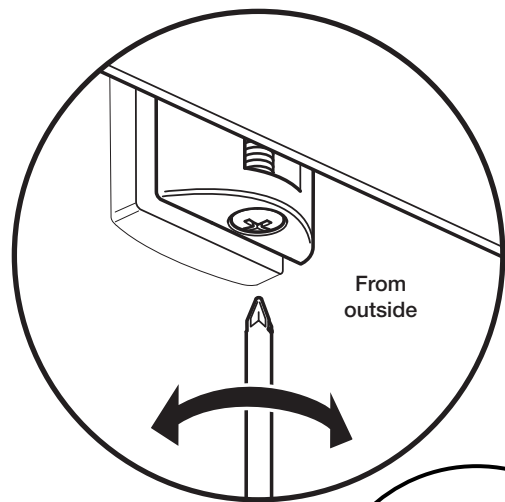
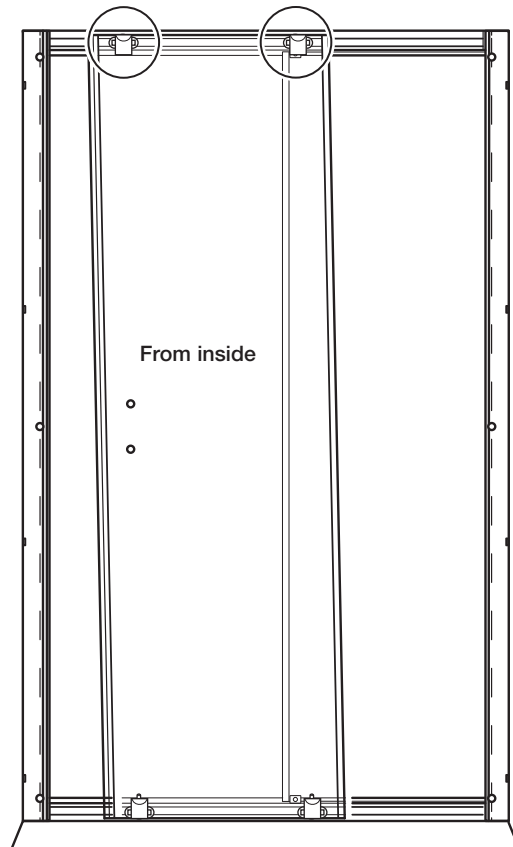


It is advised that this stage is carried out by two people to avoid damaging the runners, rails or door.

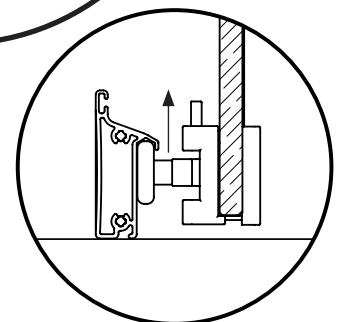
a: From inside the enclosure, hang the top 'door rollers' onto the top rail 'runner'.

b: From outside (with the door closed) depress both 'plungers' on the bottom 'door rollers' and position under the bottom rail 'runner' and release the 'plungers'.

14

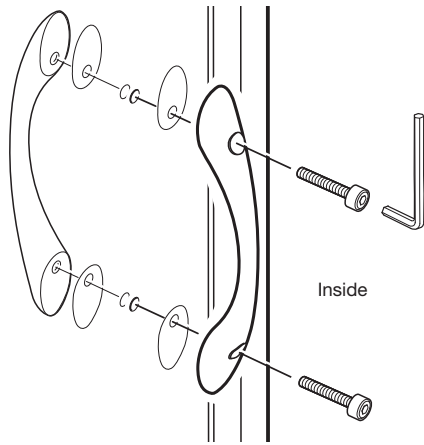


Ensure doors are adjusted so the bottom wheels are engaged in the bottom rail and they are under light tension but still free to run.



The 'wheels' at the top of the door may need adjusting so that the door slides freely and the magnetic seal is flush against the magnetic profile when the door is closed.

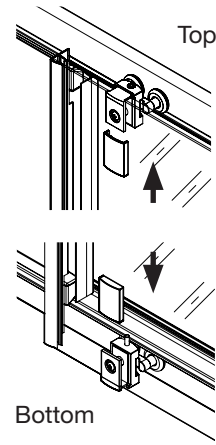
From outside the enclosure, turn the adjuster screw (under each of the top wheels) as shown until the door hangs vertically.

15

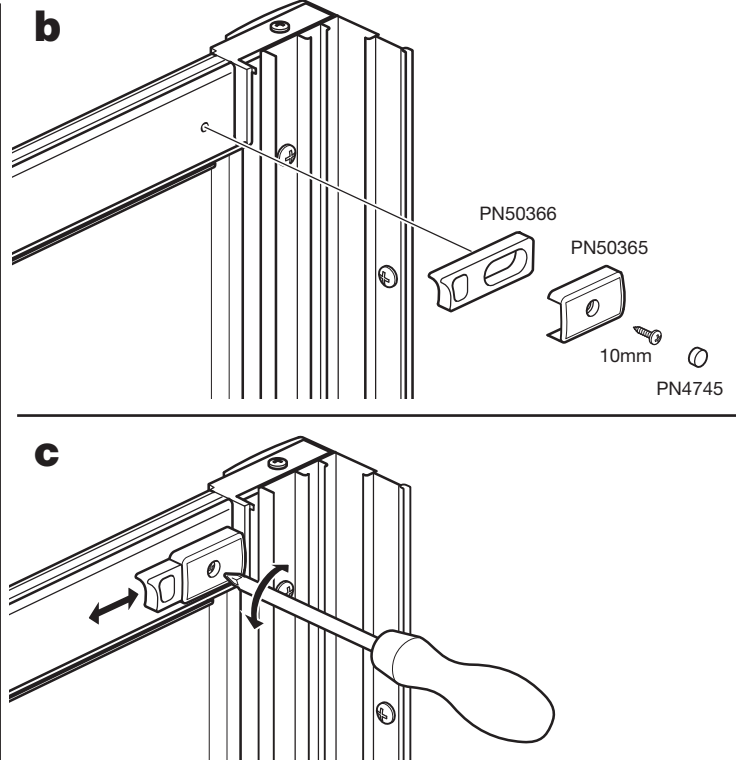
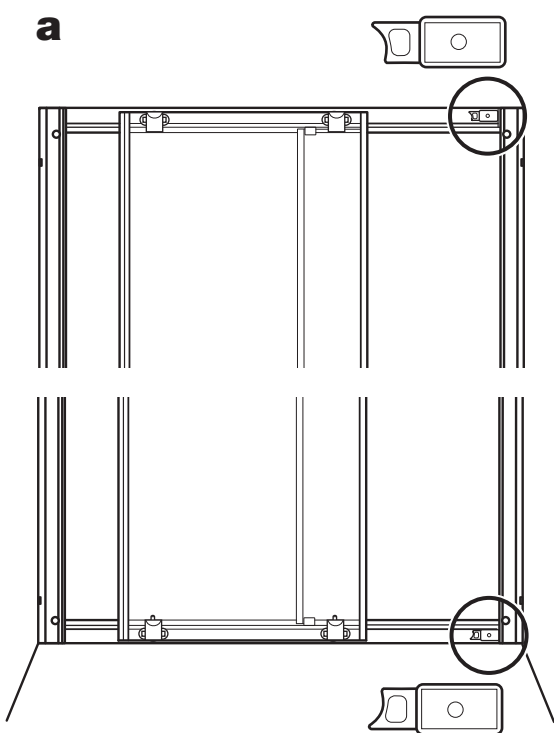
Fit the door handles to the door with the allen bolts on the inside of the door.

Ensure the rubber washers are placed between the handles and the glass.

Do not over tighten.

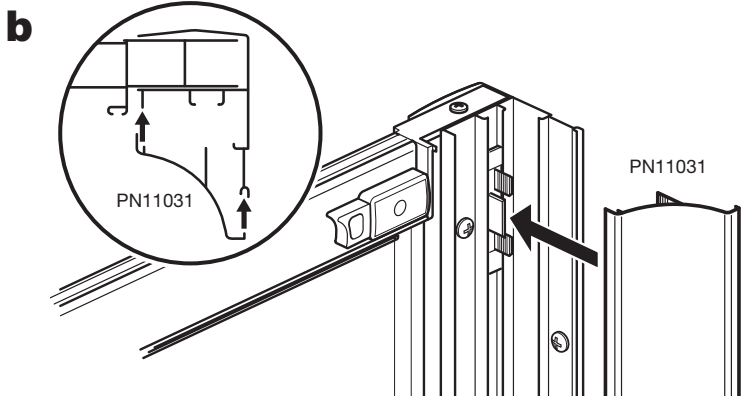
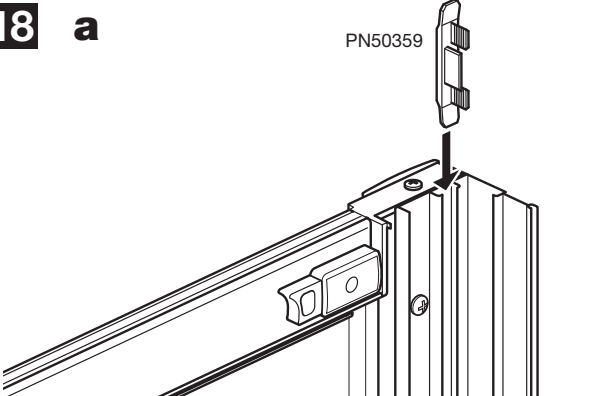
16

Slide the wheel cover caps (PN60490) on to the back of the wheels as shown from the inside of the enclosure.

17

a: Attach the bump stops to the top and bottom rails where shown. **Note:** The top and bottom 'bumpers' (PN50366) fit the opposite way around as shown. **b:** Attach the bump stops as shown using the 10mm screws.

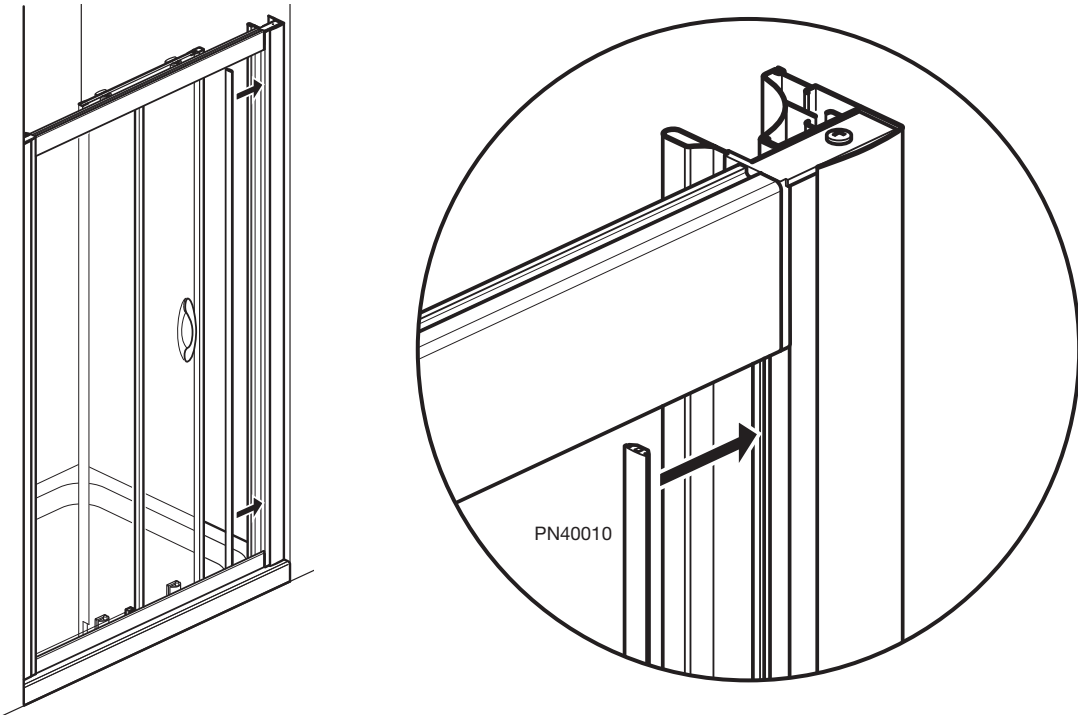
c: Check that the door hits both bumpers at the same time. To adjust the bumpers, loosen the screw and move the 'rubber' bumper as required then re-tighten. Push fit the cover caps (PN4745).

18

a: Insert 3 wall channel clips (PN50359) down the slot in each wall channel and space out equally down their length.

b: Push fit the wall channel cover strips (PN11031) onto the wall channels as shown.

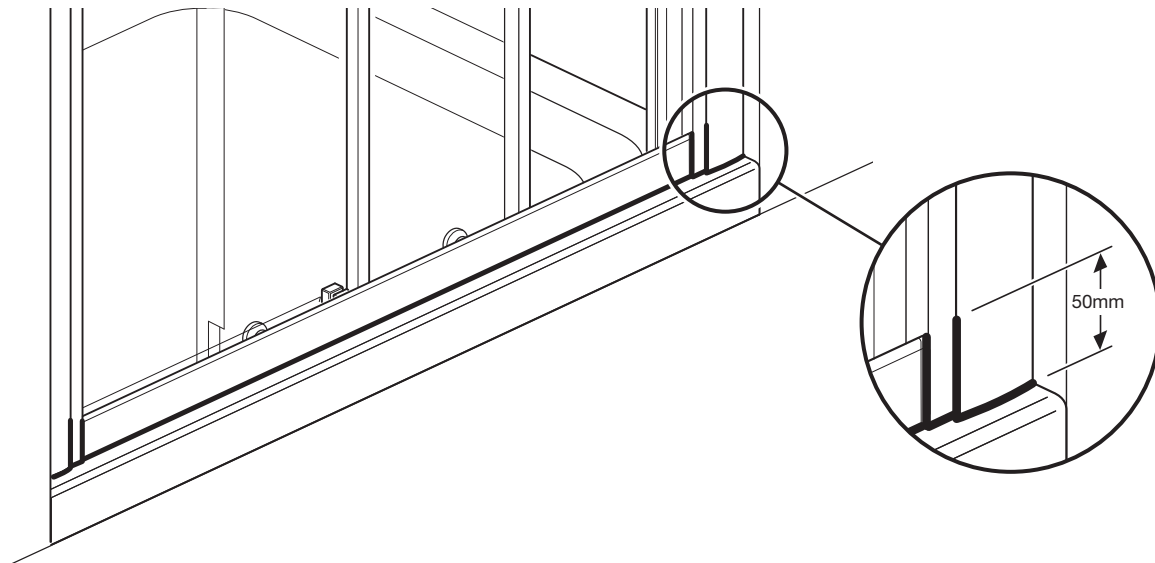
19



Push fit the 'magnetic profile seal' (PN40010) into the channel in the 'magnetic profile'.

Note: The seal may need trimming to length. **Note:** Wetting the seal with water will help to fit the seal.

20



From the outside only, apply sealant to the bottom of the enclosure and 50mm up the wall channels and vertical joints as shown.

Recycling

Packaging:- The cardboard and polythene parts of this packaging can be recycled.

End of life:- This product contains materials such as aluminium and glass which can be recycled.

Please contact your local authority to find your nearest recycling centre.

IMPORTANT: You must not use the shower for 24 hours after installation of the enclosure.

DO NOT use bleach, scouring powders, solvents or other aggressive cleaning agents. To clean, use warm soapy water and a clean cloth and rinse off.

Please note: There has been a glass coating applied to this product, use a squeegee to remove water and debris.

Periodically check all fixings and tighten if necessary.

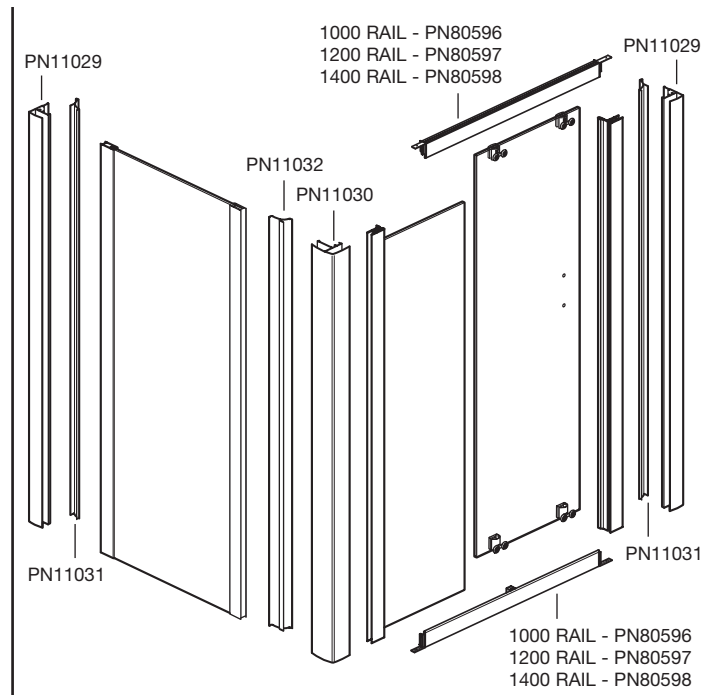
CORAM SHOWERS LTD

Stanmore Industrial Estate, Bridgnorth, Shropshire WV15 5HP, UK • Tel: 01746 766466 • Fax: 01746 764140 • www.coram.co.uk

Check contents of packs before installation. If anything is missing, contact our Customer Careline: **01746 713410**

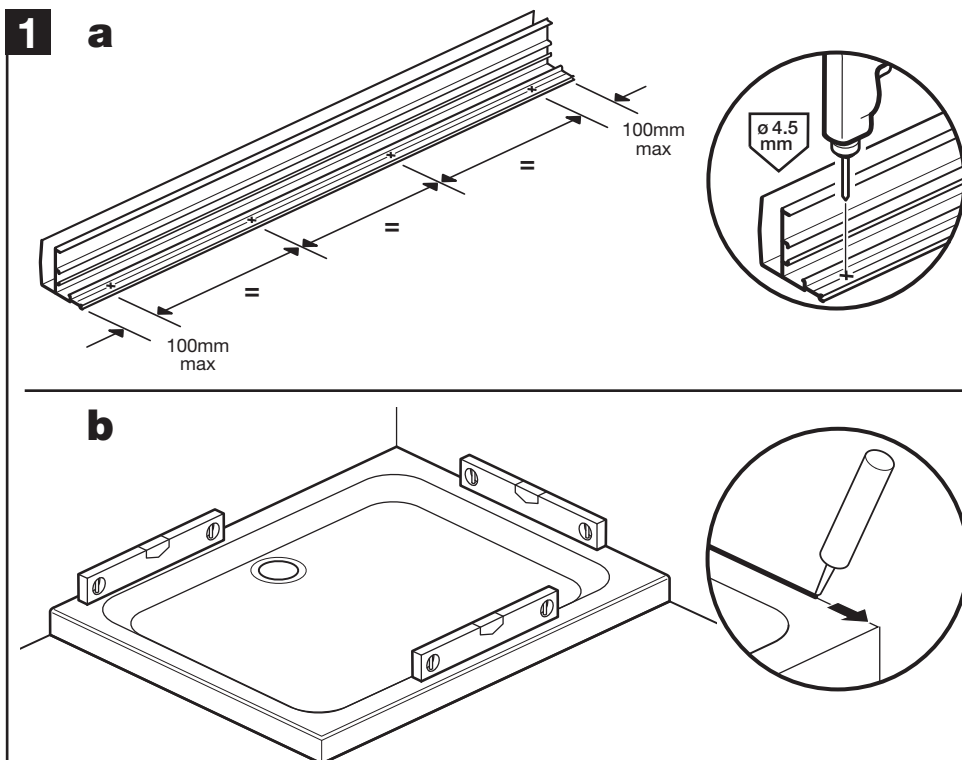
SLIDING DOOR CONTENTS

	PN3230	8		PN60220	1
	PN3225	8		1000 = PN40261	2
	32mm PN60014	2		1200 = PN40262	
	13mm PN60093	2		PN40308	1
	12mm PN3222	2		PN40310	1
	10mm PN50359	8		PN40309	1
	PN50370	6		PN40010	1
	PN80618	2		PN50366	2/2
	PN50365	2		PN50365	
	PN4745	2		PN60490	4
	PN60506	1		PN60506	1



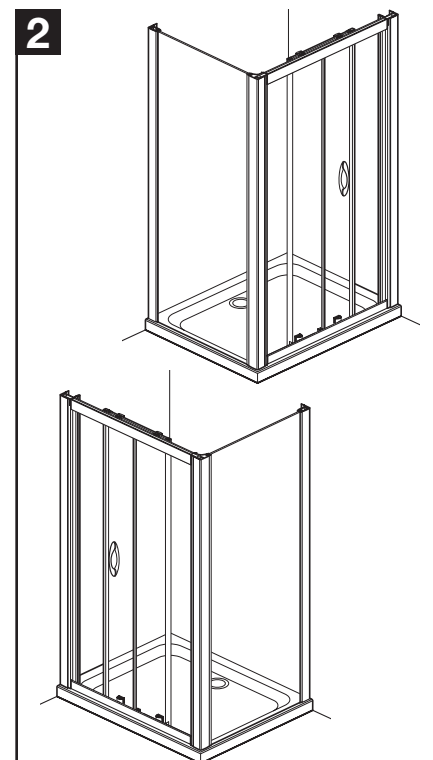
SIDE PANEL CONTENTS

	PN3222	6		PN50359	3
10mm					



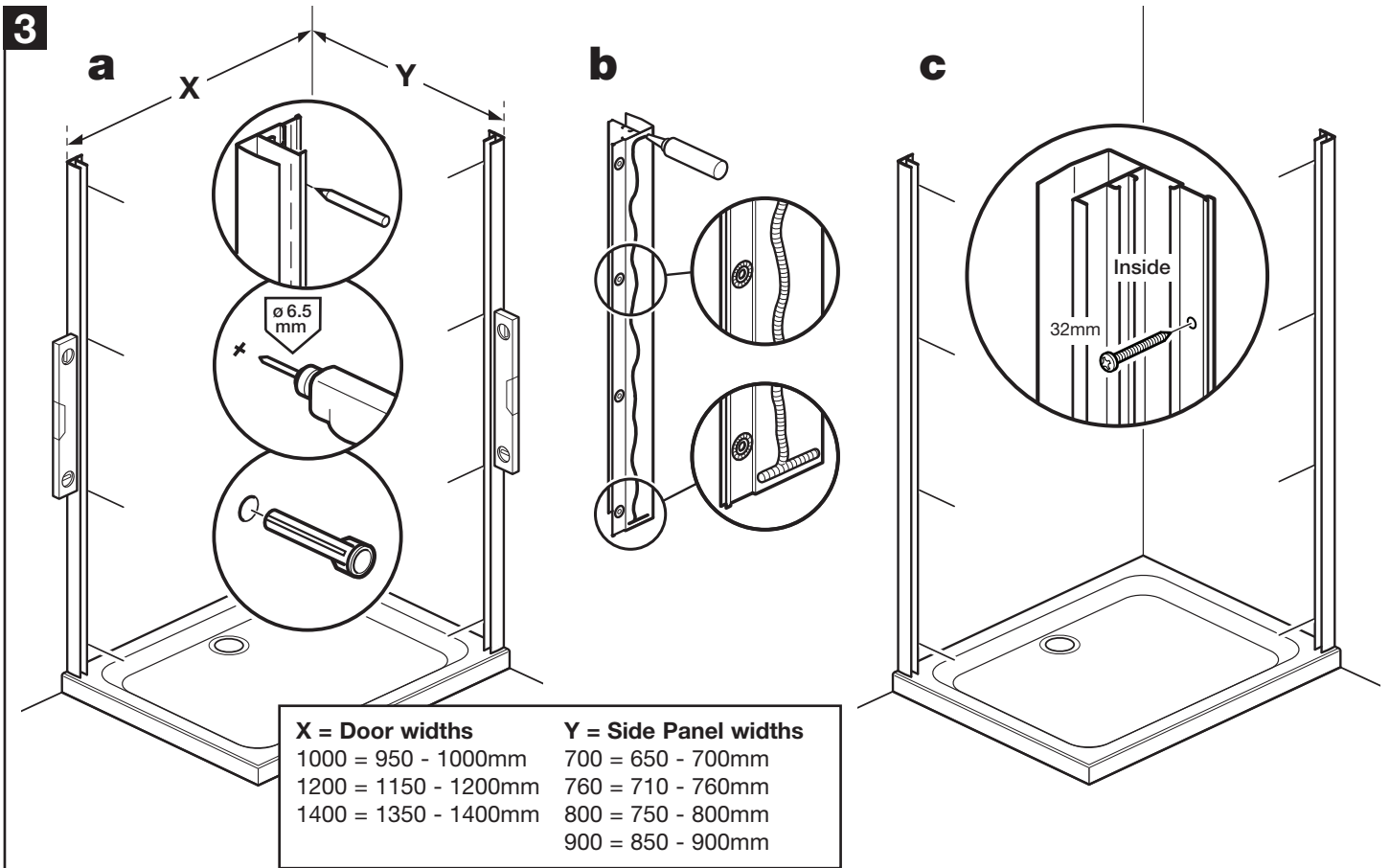
a: Drill holes in both wall channels at the points shown (in the groove) using a 4.5mm drill bit.

b: Ensure the shower tray is level in all directions. **IMPORTANT:** Clean the tray and seal the gap between the tray surface and tiles. It is important that the tray is sealed right up to the tray edge so that the bottom of the wall channel is sealed. Failure to do this will cause water to leak under the wall channel and between the tray and tiles, resulting in damp patches on the wall and under the tray.

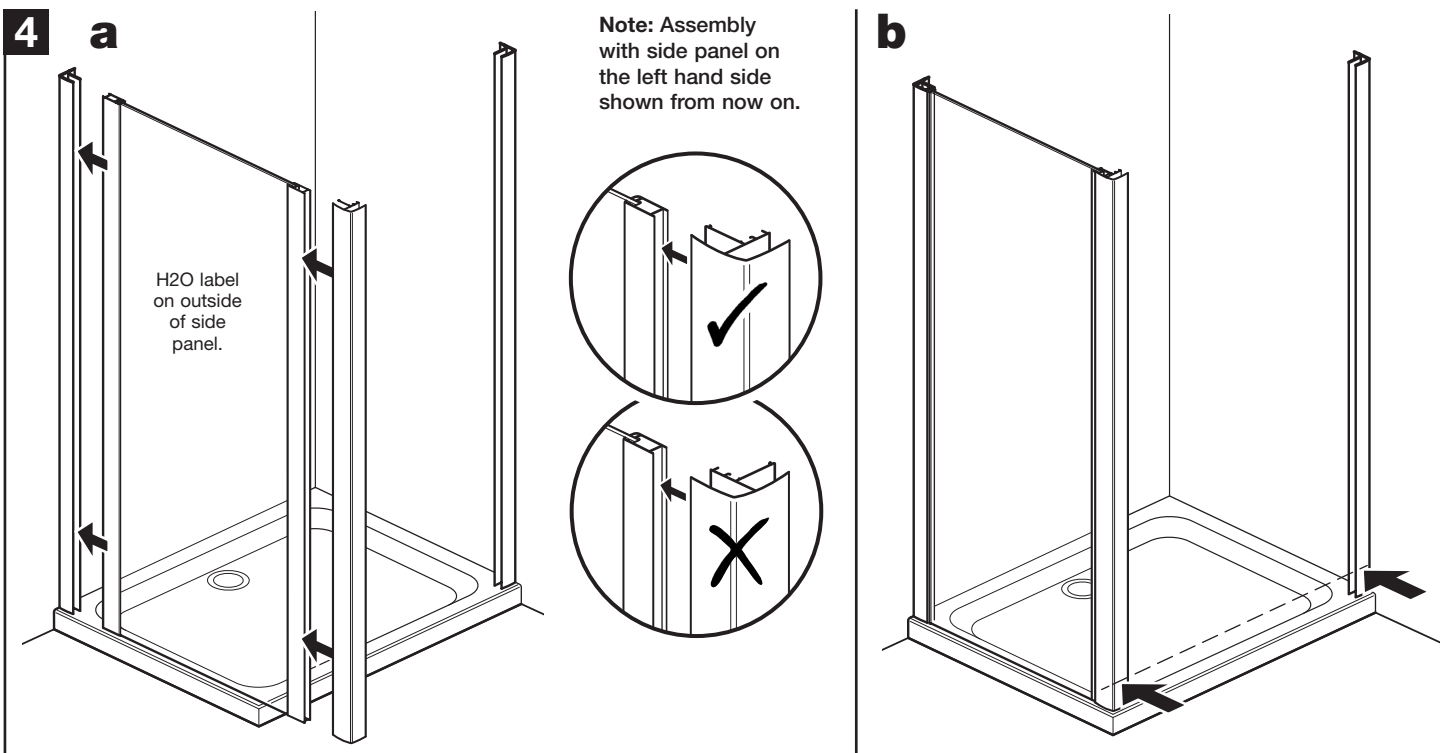


The enclosure can be assembled with the side panel on either the right or left and the door on either the right or left (see step 4).

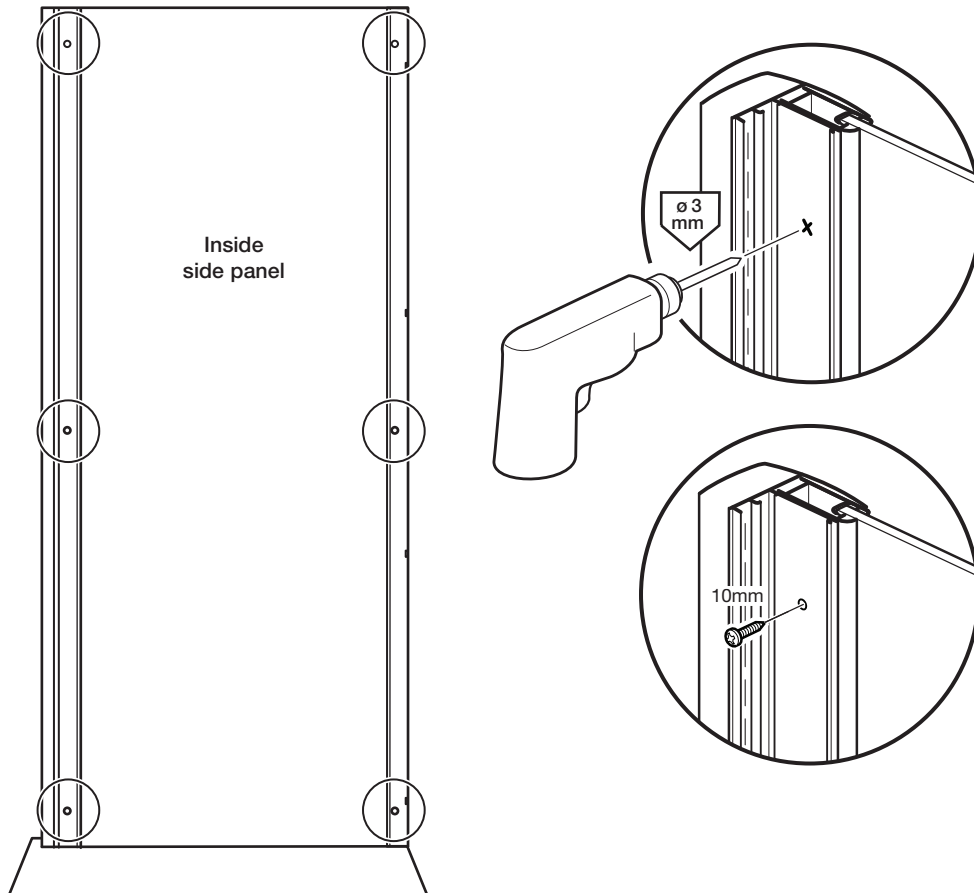
Note: The following instructions show the side panel on the left and door on the right hand side.



- a:** Place the wall channels on the tray ensuring they are vertical and an equal distance back from the front of the tray. Place masking tape against the wall before marking drill hole positions, this will help prevent the drill bit slipping. Drill 6.5mm holes, 30mm deep and insert the wall plugs. **b:** Apply sealant to the back of the wall channels and around the fixing holes. **c:** Fix the wall channels to the walls using 8 x 32mm screws.

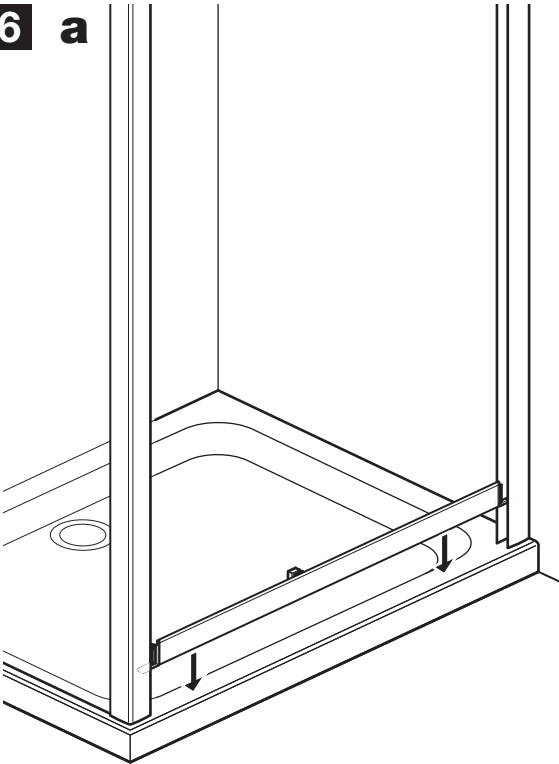
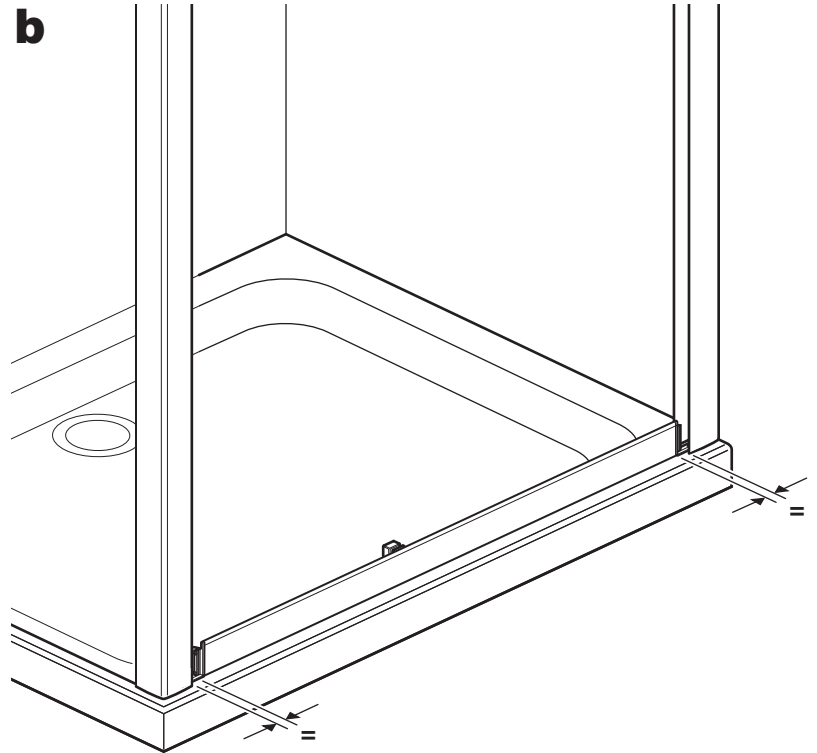


- a:** Insert the side panel into the wall channel (ensuring that the H2O label is on the outside of the enclosure). Fit the corner post onto the side panel. **IMPORTANT:** The corner post **MUST** be fitted as shown above. **b:** Ensure that the corner post is vertical and the same distance in from the edges of the tray as the wall channels.

5

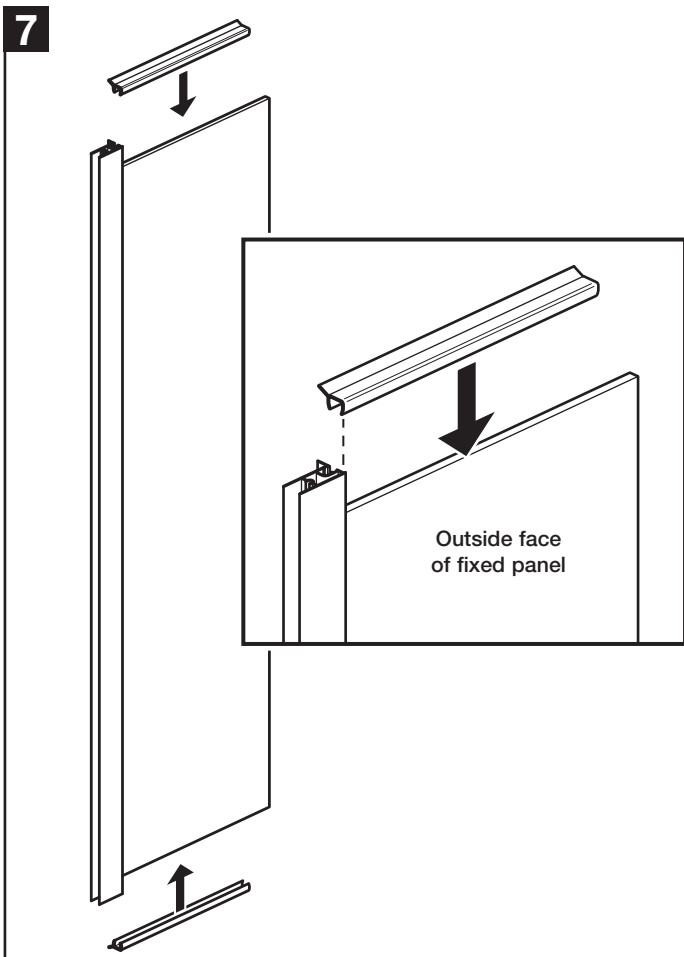
Check the side panel and corner post are vertical and that the side panel is centrally positioned between the corner post and wall channel.

From inside the enclosure, in the positions shown, drill through the corner post and wall channel into the side panel using a 3mm drill bit, **do not drill too deep!** Fix using 6 x 10mm screws.

6 a**b**

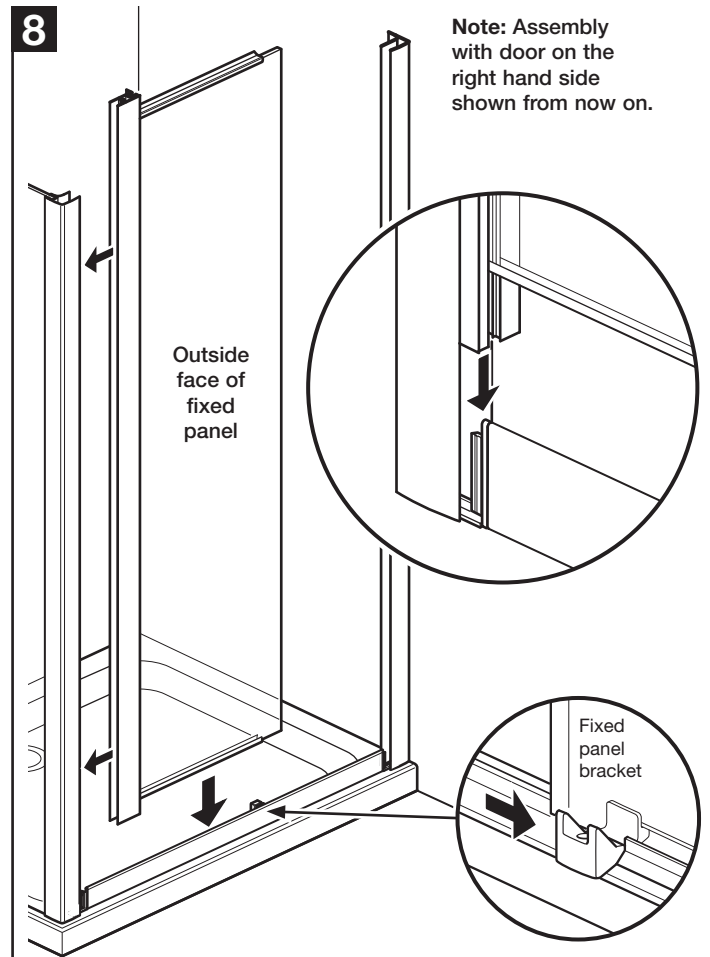
a: Place the bottom rail onto the tray with its end mouldings inserted into the corner post and wall channel.

b: Centre the bottom rail between the corner post and wall channel so that there is an equal gap at each end.



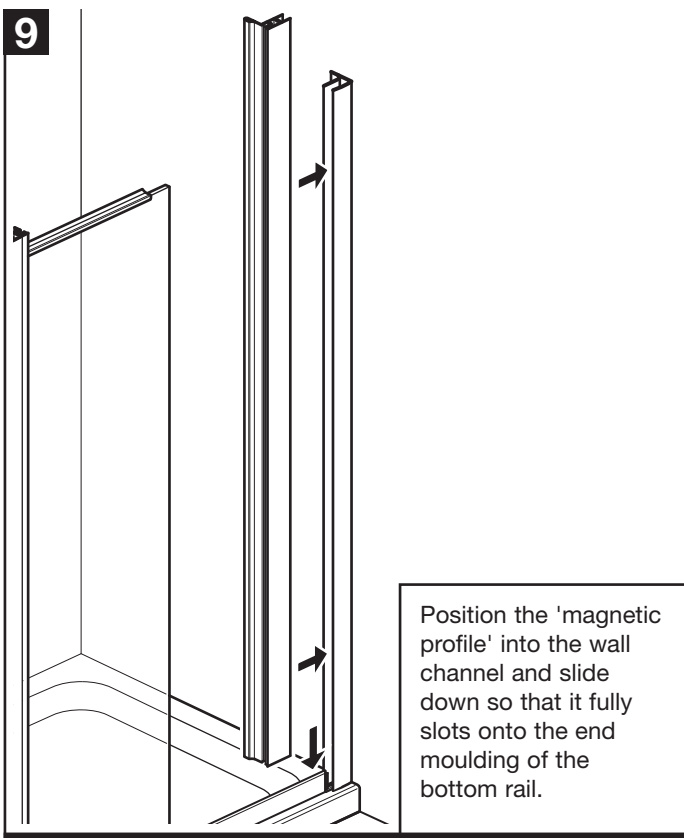
Push fit the 'short flipper seals' onto the top and bottom edges of the fixed panel - flush against the metal profile. **Ensure the flipper seal 'flaps' are on the inside of the fixed panel.**

Note: Wetting the glass with water will help to fit the seals.

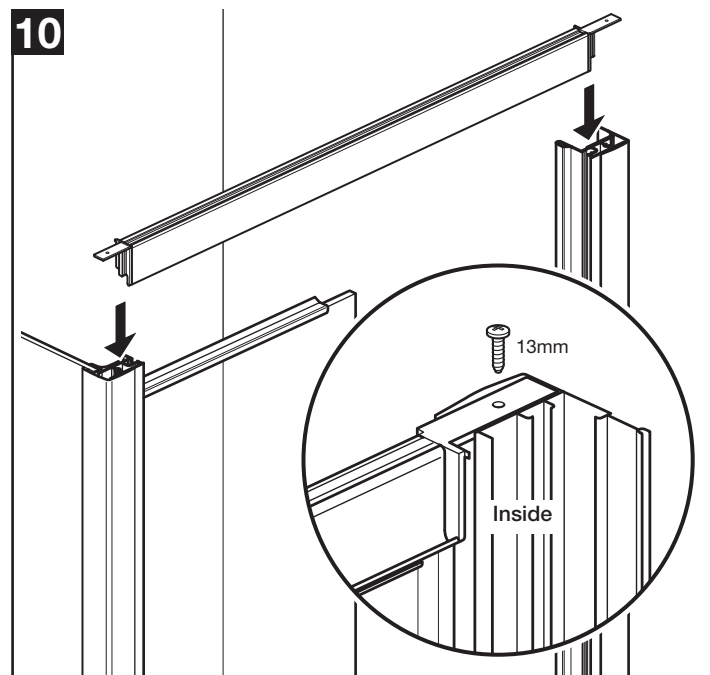


Note: Assembly with door on the right hand side shown from now on.

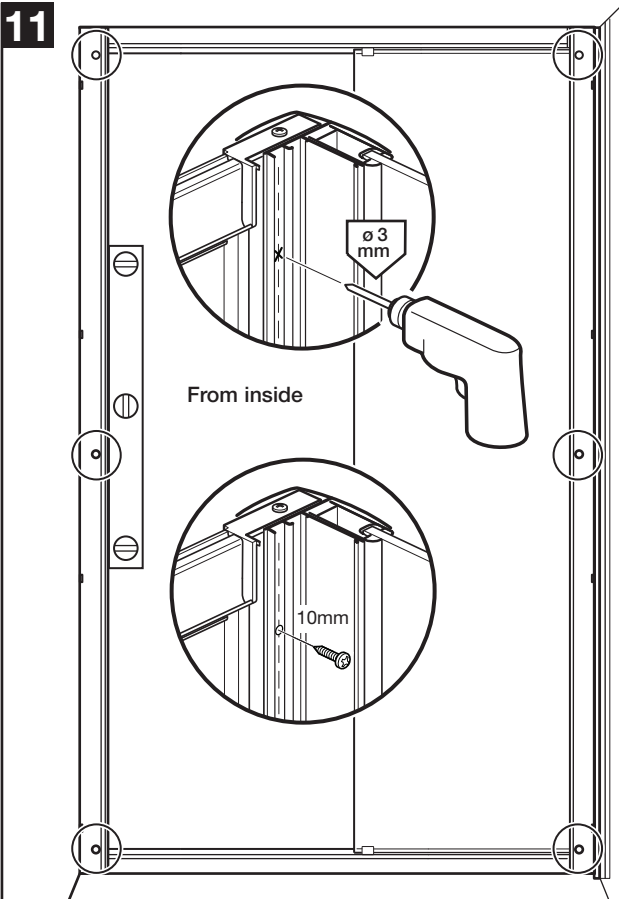
Position the fixed panel into the required corner post/wall channel and slide down so it fully slots onto the end moulding of the bottom rail. Inside the enclosure, ensure the panel sits in the 'fixed panel bracket', slide the bracket along the rail and position under the panel as shown.



Position the 'magnetic profile' into the wall channel and slide down so that it fully slots onto the end moulding of the bottom rail.



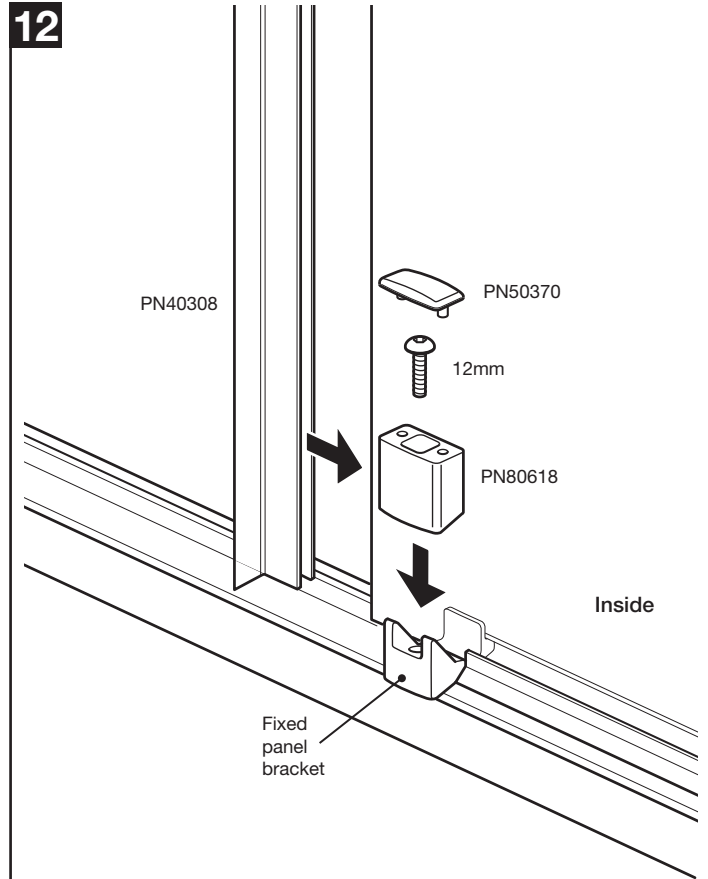
Position the top rail onto the top of the 'fixed panel' and 'magnetic profile'. Adjust the position of the fixed panel bracket as required. line up the holes and fix using 2 x 13mm screws.



Check the door frame is vertical and is centrally positioned between the wall channel and corner post.

From inside the enclosure, in the positions shown, drill through the wall channel and corner post into the fixed panel and magnetic profile using a 3mm drill bit, **do not drill too deep!**

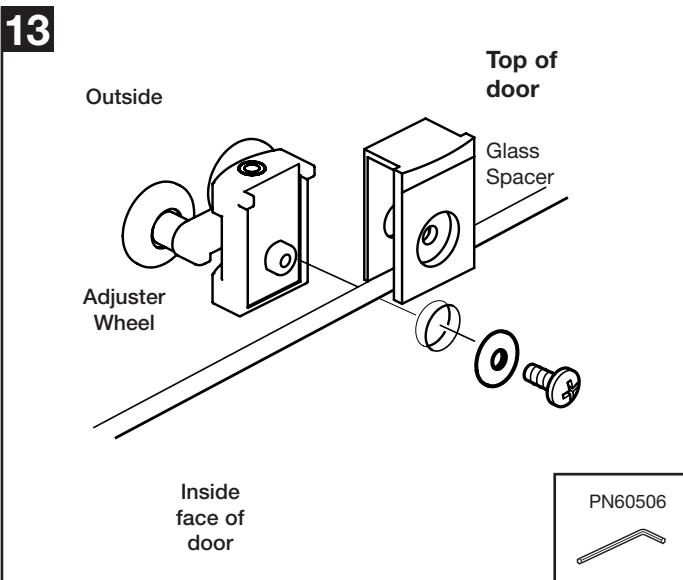
Fix using 6 x 10mm screws.



Fit 'flipper seal' (PN40308) onto the edge of the fixed panel. **Ensure the flipper seal 'flap' is on the inside.**

Note: Wetting the glass with water will help to fit the seal.

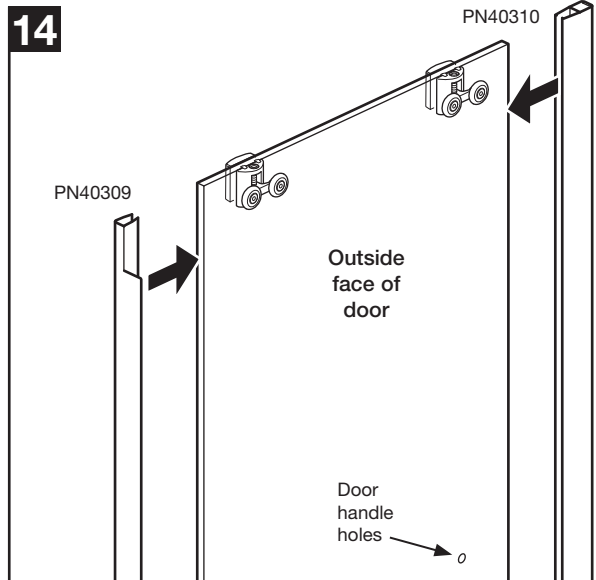
From inside the enclosure, place fixed panel retainer covers (PN80618) onto the top and bottom fixed panel brackets. Fix using the 12mm screws and fit the retainer caps (PN50370).



Option: Changing the door for left hand opening

Remove both top wheel assemblies from the door by removing the fixing screws.

Remove the bottom 'plunger' wheel assemblies and re-fit to the top of the door. Re-fit the 'top' wheel assemblies to the bottom and rotate the door. **IMPORTANT:** Ensure the wheels are fitted back onto the 'outside' face of the door.

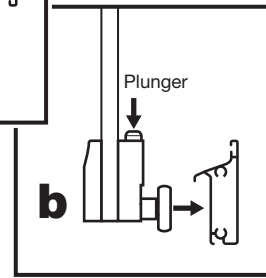
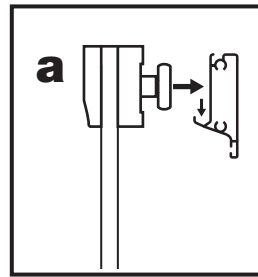
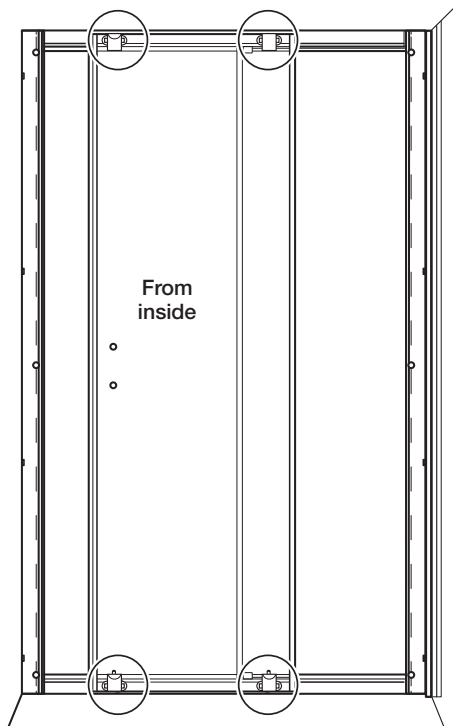


Push fit 'flipper seal' (PN40309) onto the back edge of the door. **Ensure the flipper seal 'flap' is on the outside of the door.**

Test the 'magnetic seal' (PN40310) against the 'magnetic profile' to ensure it is the correct way around. Push fit magnetic seal onto the closing edge of the door (the same side as door handle hole).

Note: Wetting the glass with water will help to fit the seals.

15

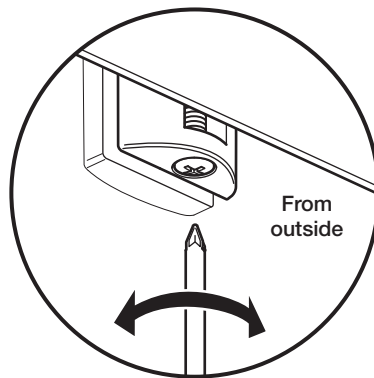
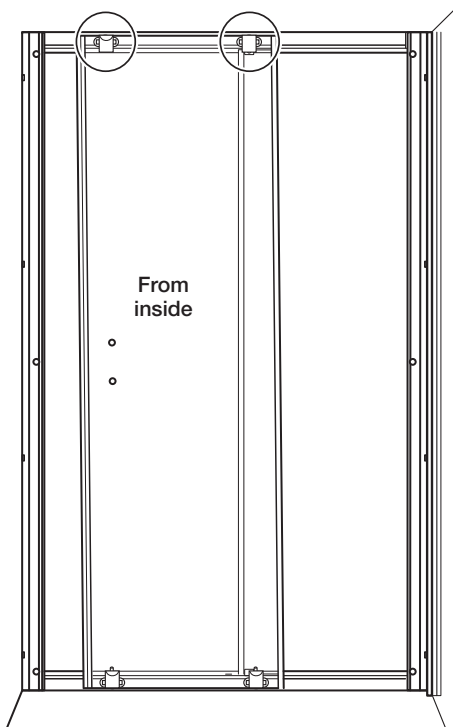


It is advised that this stage is carried out by two people to avoid damaging the runners, rails or door.

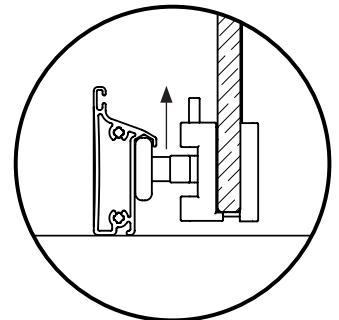
a: From inside the enclosure, hang the top 'door rollers' onto the top rail 'runner'.

b: From outside (with the door closed) depress both 'plungers' on the bottom 'door rollers' and position under the bottom rail 'runner' and release the 'plungers'.

16



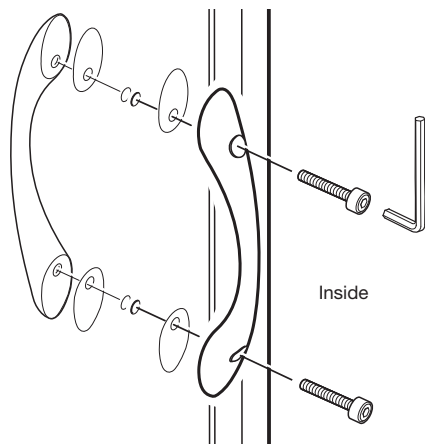
Ensure doors are adjusted so the bottom wheels are engaged in the bottom rail and they are under light tension but still free to run.



The 'wheels' at the top of the door may need adjusting so that the door slides freely and the magnetic seal is flush against the magnetic profile when the door is closed.

From outside the enclosure, turn the adjuster screw under each of the top wheels as shown until the door hangs vertically.

17

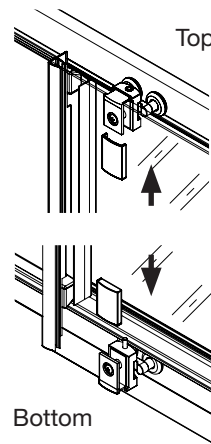


Fit the door handles to the door with the allen bolts on the inside of the door.

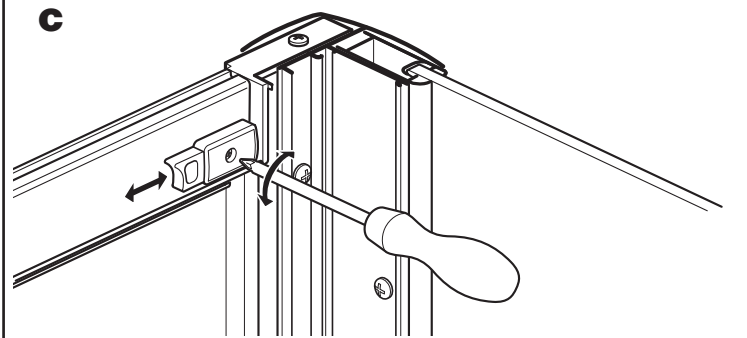
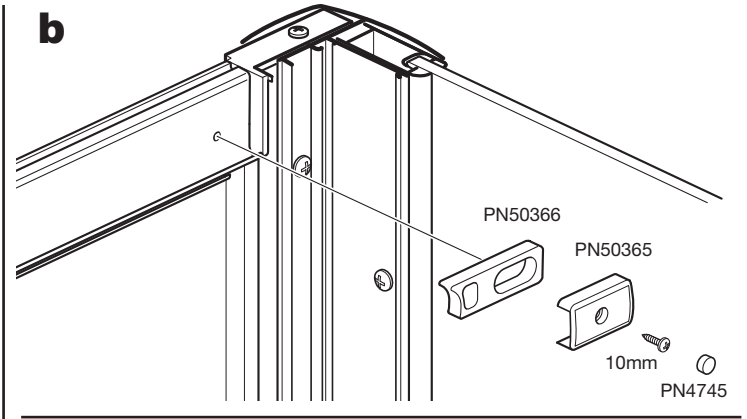
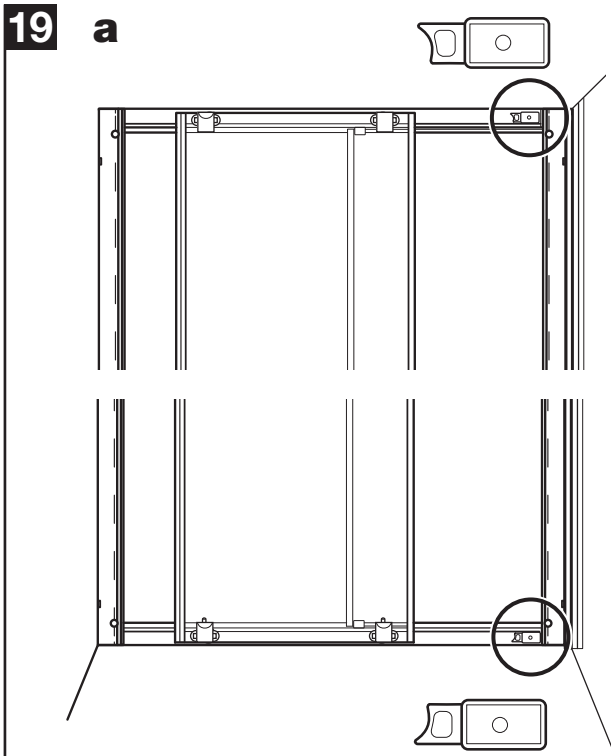
Ensure the rubber washers are placed between the handles and the glass.

Do not over tighten.

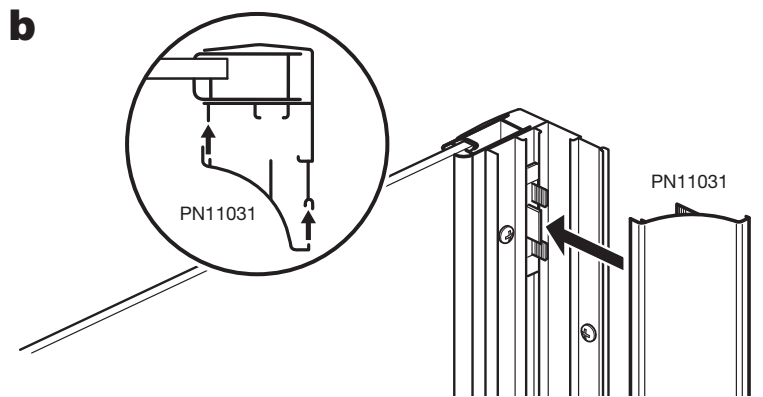
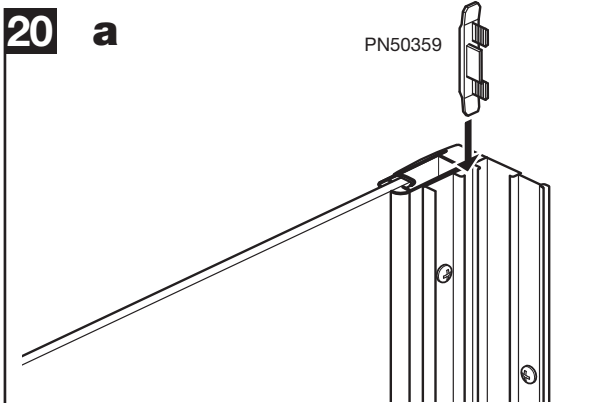
18



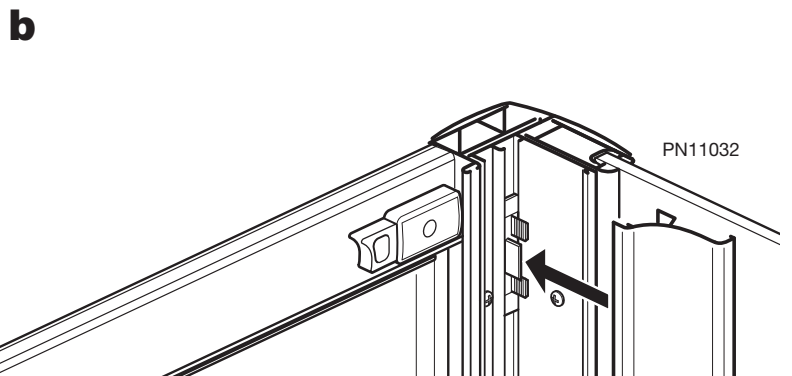
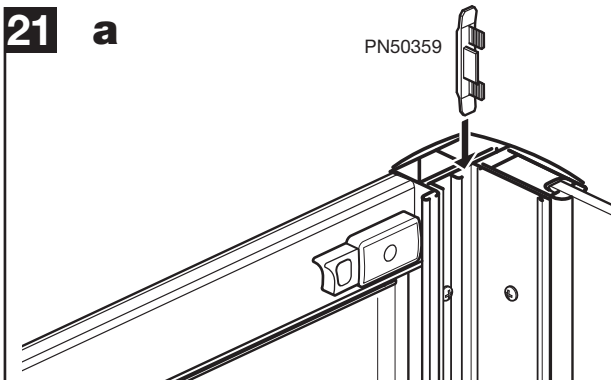
Slide the wheel cover caps (PN60490) on to the back of the wheels as shown from the inside of the enclosure.



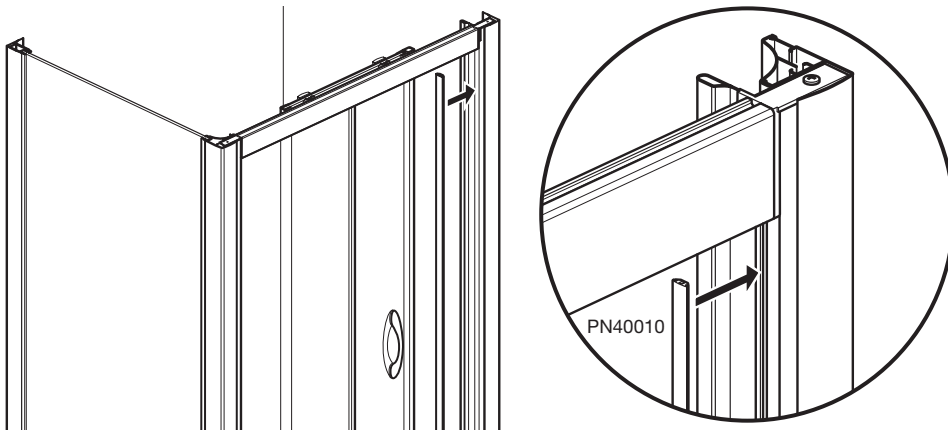
a: Attach the bump stops to the top and bottom rails where shown. **Note:** The top and bottom 'bumpers' (PN50366) fit the opposite way around as shown. **b:** Attach the bump stops as shown using the 10mm screws.
c: Check that the door hits both bumpers at the same time. To adjust the bumpers, loosen the screw and move the 'rubber' bumper as required then re-tighten. Push fit the cover caps (PN4745).



a: Insert 3 wall channel clips (PN50359) down the slot in each wall channel and space out equally down their length.
b: Push fit the wall channel cover strips (PN11031) onto the wall channels as shown.



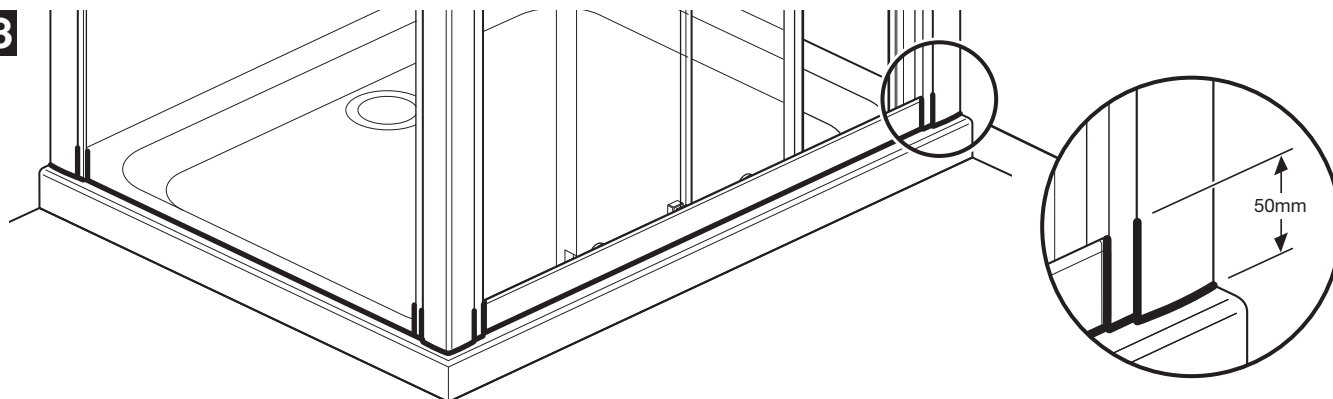
a: Insert 3 wall channel clips (PN50359) down the slot in the corner post and space out equally down the length of the post.
b: Push fit the corner post cover strip (PN11032) onto the corner post as shown.

22

Push fit the 'magnetic profile seal' (PN40010) into the channel in the 'magnetic profile'.

Note: The seal may need trimming to length.

Note: Wetting the seal with water will help to fit the seal.

23

From the outside only, apply sealant to the bottom of the enclosure and 50mm up the wall channels and vertical joints as shown.

Recycling

Packaging:- The cardboard and polythene parts of this packaging can be recycled.

End of life:- This product contains materials such as aluminium and glass which can be recycled.

Please contact your local authority to find your nearest recycling centre.

IMPORTANT: You must not use the shower for 24 hours after installation of the enclosure.

DO NOT use bleach, scouring powders, solvents or other aggressive cleaning agents. To clean, use warm soapy water and a clean cloth and rinse off.

Please note: There has been a glass coating applied to this product, use a squeegee to remove water and debris.

Periodically check all fixings and tighten if necessary.

CORAM SHOWERS LTD

Stanmore Industrial Estate, Bridgnorth, Shropshire WV15 5HP, UK • Tel: 01746 766466 • Fax: 01746 764140 • www.coram.co.uk