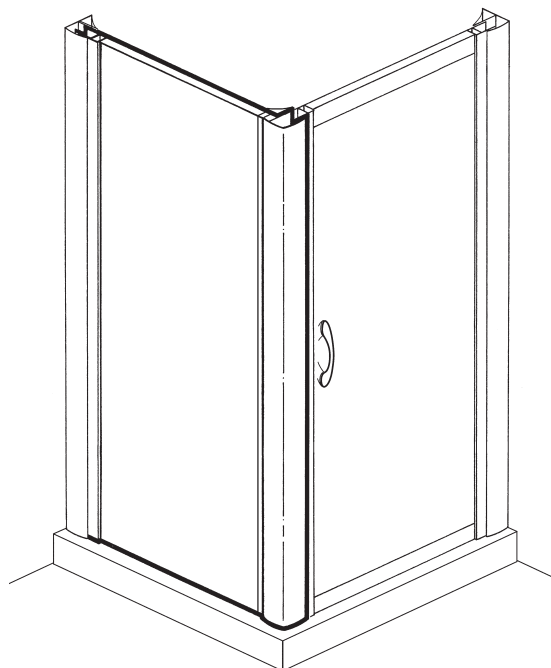


# PREMIER SIDE PANEL



***Please read these instructions carefully and keep for future reference.  
Incorrect fitting will invalidate the guarantee.***

## SAFETY

- Handle glass with great care. Although the glass is very tough, sharp impacts can damage both the glass and metal frame.
- Make sure there are no hidden pipes or cables hidden in the wall where you intend to drill.
- Wear safety goggles, shoes and appropriate clothing.

## BEFORE INSTALLATION

- Check that the shower tray is level in all directions. The enclosure will not sit correctly on an uneven surface. If uneven, the wall channels may not fit and the doors may not shut correctly.
- The enclosure should be fitted on tiled walls which are sealed with waterproof grout.
- There must be a good silicone seal between the rim of the shower tray and the wall.
- The shower tray and the enclosure must match in size. Attempting to fit the incorrect size of enclosure to the shower tray will result in water leaks.
- Always check very carefully that components are vertical.
- To avoid damage, use the opened out packaging to build the enclosure on.

### **Equipment needed:**

Drill, 6.5mm Masonry Bit, 4.5mm & 3mm Metal Bits (general), Crosshead Screwdriver, Spirit Level, Pencil, Tape Measure, Masking Tape, Silicone Sealant.

**Note:** The screws and wall plugs supplied are for masonry walls. For lightweight walls i.e. stud partition, plasterboard etc, use the correct type of fixings.

**CUSTOMER CARELINE 01746 713410**

Check contents of pack before installation. If anything is missing, contact our Customer Careline for assistance.

**CUSTOMER CARELINE: 01746 713410**

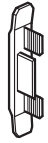
PN3222



6

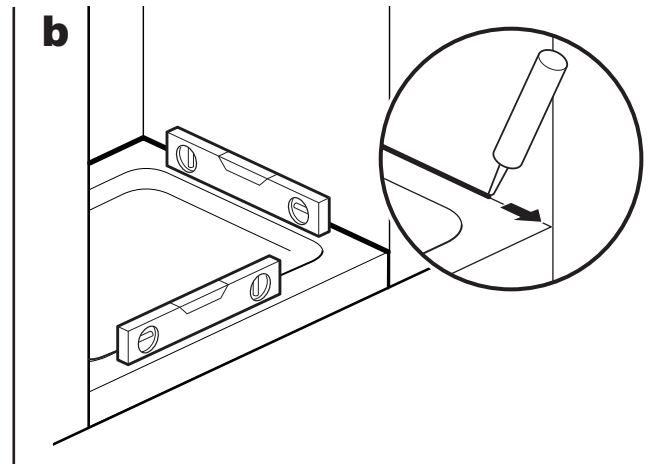
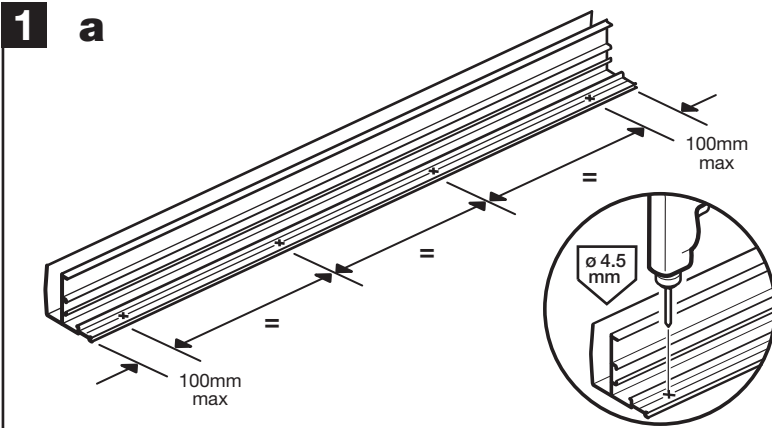
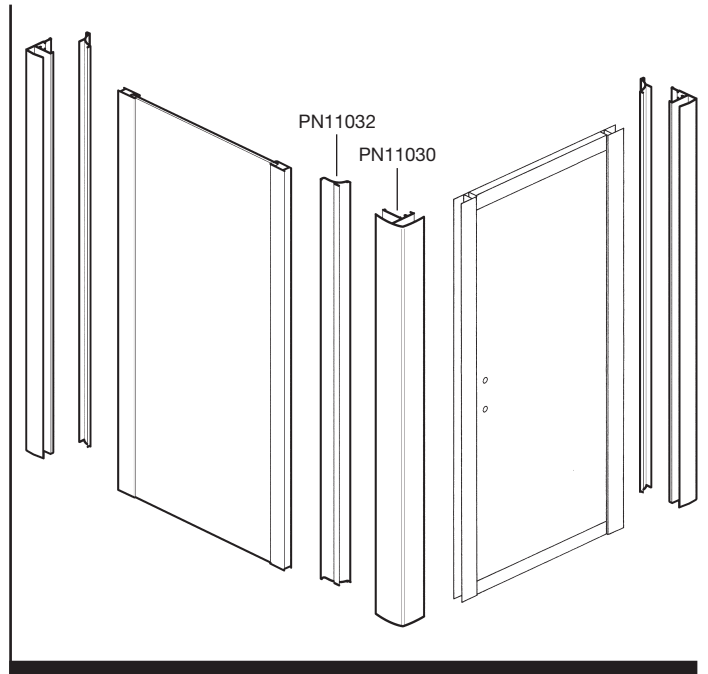
10mm

PN50359



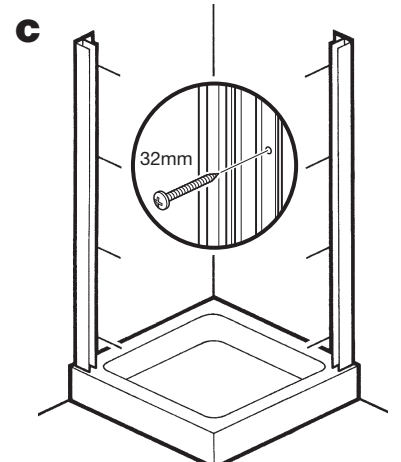
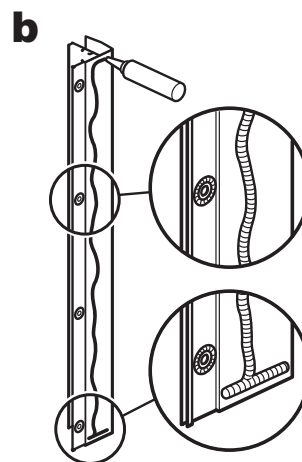
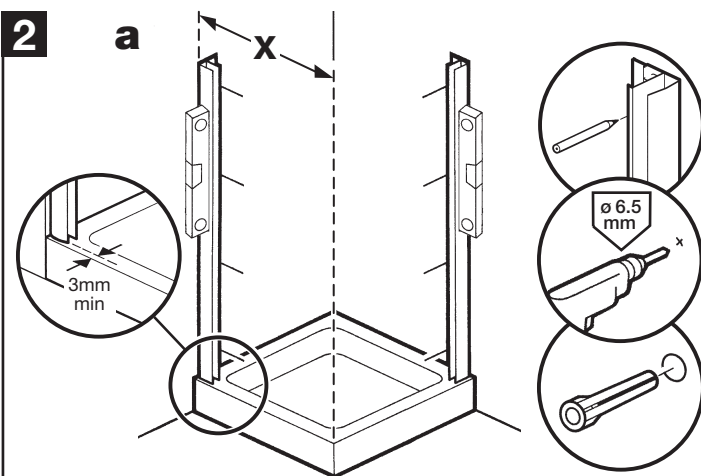
3

Cover strip clips



**a:** Drill holes in both wall channels at points shown (in the groove) using a 4.5mm drill bit.

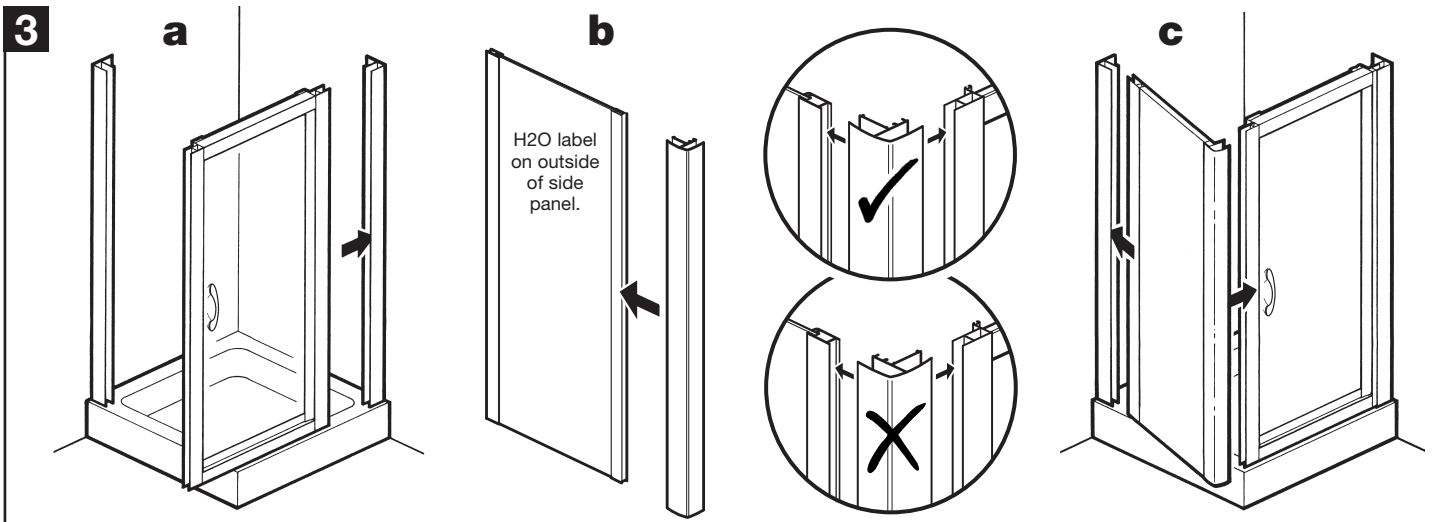
**b:** Ensure the shower tray is level in all directions. **IMPORTANT:** Clean the tray and seal the gap between the tray surface and tiles. It is important that the tray is sealed right up to the tray edge so that the bottom of the wall channel is sealed. Failure to do this will cause water to leak under the wall channel and between the tray and tiles, resulting in damp patches on the wall and under the tray.



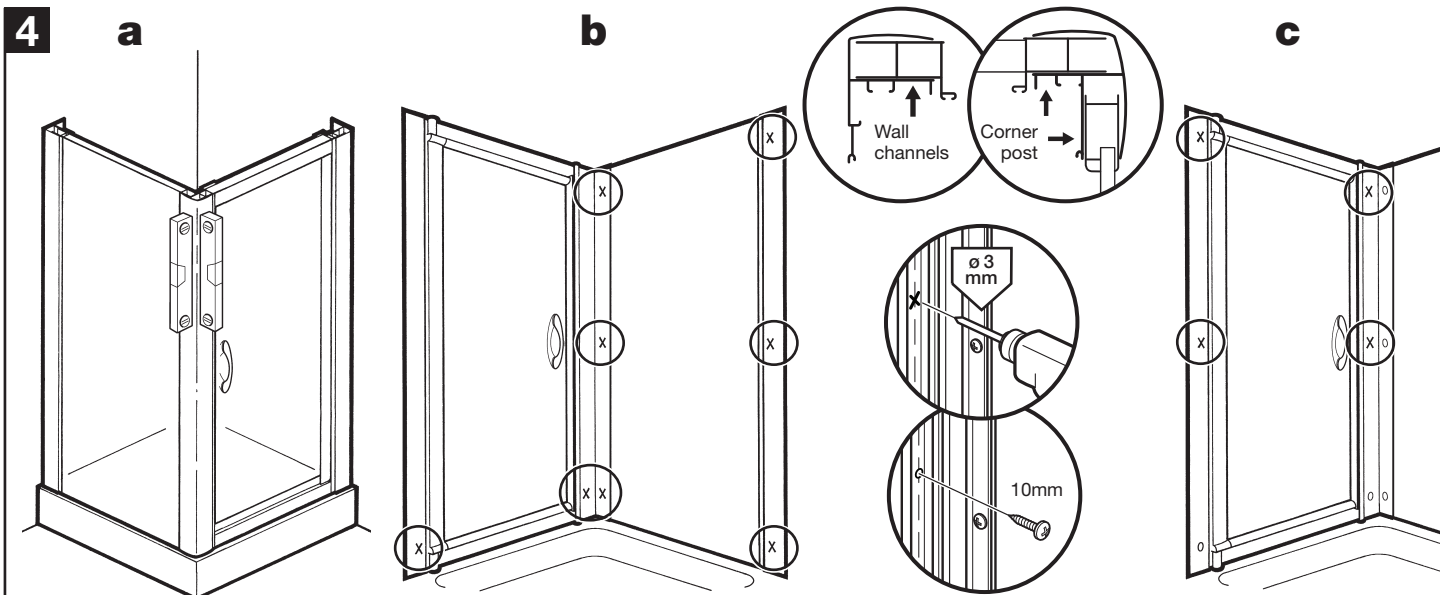
**X = Side Panel (S/P) widths - 700 S/P = 650 - 700mm • 760 S/P = 710 - 760mm • 800 S/P = 750 - 800mm • 900 S/P = 850 - 900mm**

**a:** Place wall channels on the tray ensuring they are vertical and a minimum of 3mm back from the front of the tray. Place masking tape against the wall before marking drill hole positions, this will help prevent the drill bit slipping. Drill 6.5mm holes, 30mm deep and insert the wall plugs.

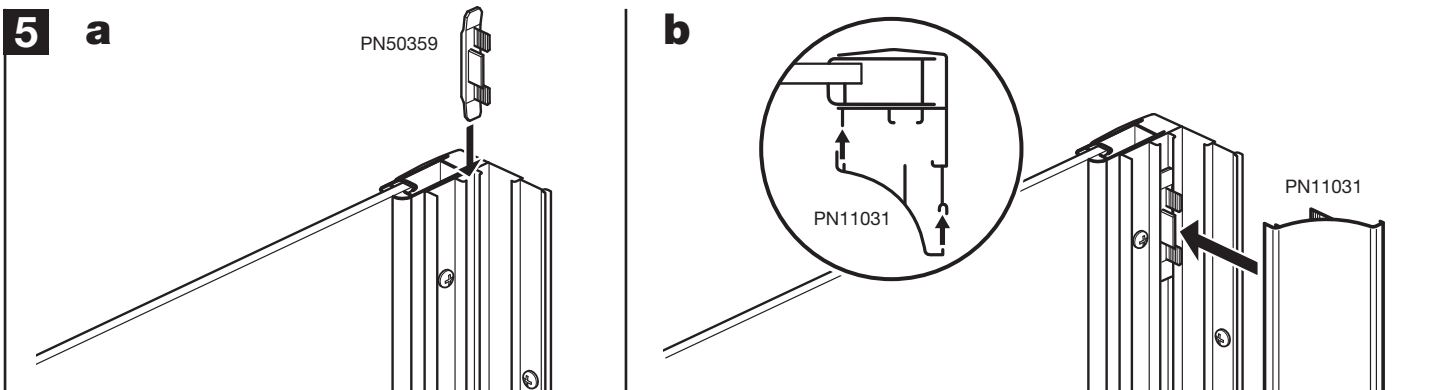
**b:** Apply sealant to the back of the wall channels and around the fixing holes. **c:** Fix the wall channels to the wall using 8 x 32mm screws.



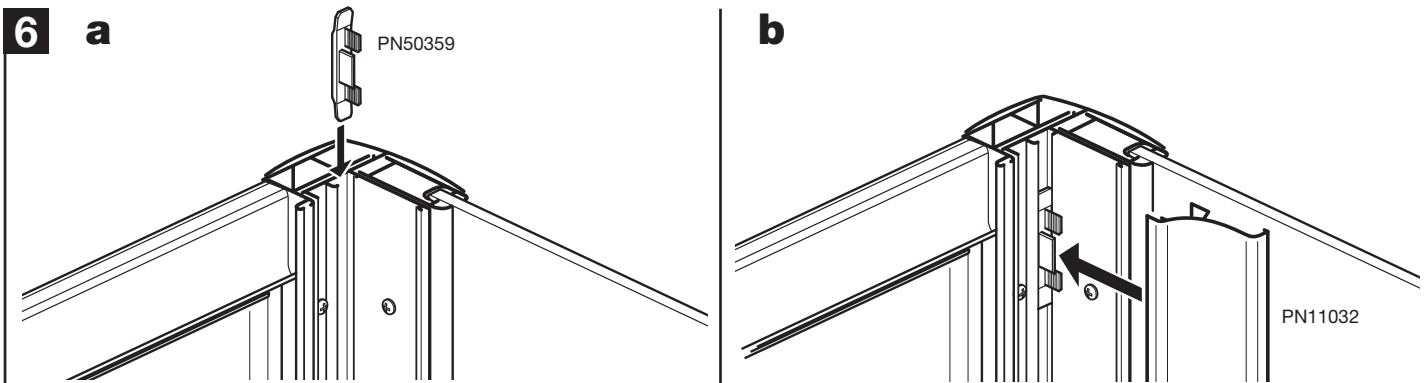
**a:** Insert your door into the wall channel (see Door instruction).  
**b:** Fit the corner post onto the side panel (ensuring that the H2O label is on the outside of the enclosure). **IMPORTANT:** The corner post **MUST** be fitted as shown above. **c:** Insert the side panel into the wall channel and the corner post onto the door.



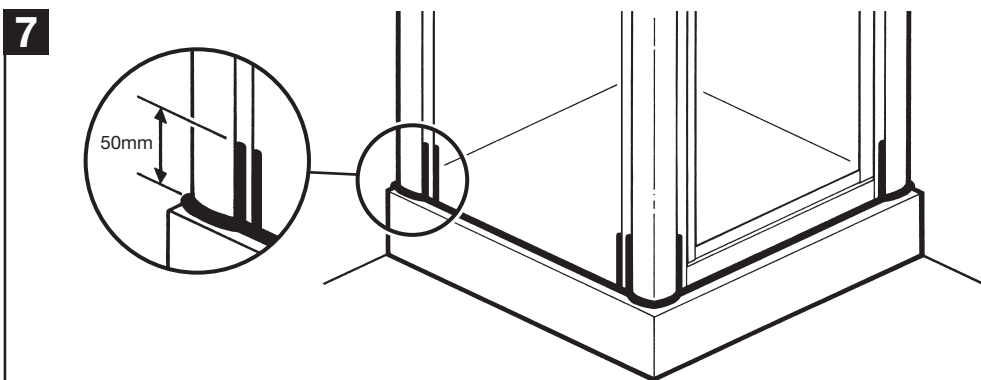
**a:** Check that the enclosure is vertical (see Door instruction). **IMPORTANT:** Ensure the door and side panel are parallel with the edge of the tray.  
**b:** Drill the inside of the wall channels and corner post using 3mm drill bit **ONLY** where shown. **DO NOT** drill too deep. Fix using 8 x 10mm screws.  
**c:** Check that the enclosure is still vertical. Drill the inside of the wall channel and corner post using 3mm drill bit where shown. **DO NOT** drill too deep. Fix using 4 x 10mm screws.



**a:** Insert 3 wall channel clips (PN50359) down the slot in each wall channel and space out equally down the length of the channels.  
**b:** Push fit the wall channel cover strips (PN11031) onto the wall channels as shown.



- a:** Insert 3 wall channel clips (PN50359) down the slot in the corner post and space out equally down the length of the post.  
**b:** Push fit the corner post cover strip (PN11032) onto the corner post as shown.



**From the outside only,** apply sealant to the bottom of the enclosure and 50mm up the wall channels and centre post as shown.

### Recycling

**Packaging:-** The cardboard and polythene parts of this packaging can be recycled.

**End of life:-** This product contains materials such as aluminium and glass which can be recycled.

Please contact your local authority to find your nearest recycling centre.

**IMPORTANT:** You must not use the shower for 24 hours after installation of the enclosure.

**DO NOT** use bleach, scouring powders, solvents or other aggressive cleaning agents. To clean, use warm soapy water and a clean cloth and rinse off.

**Please note:** There has been a glass coating applied to this product, use a squeegee to remove water and debris.

Periodically check all fixings and tighten if necessary.

### CORAM SHOWERS LTD

Stanmore Industrial Estate, Bridgnorth, Shropshire WV15 5HP, UK • Tel: 01746 766466 • Fax: 01746 764140 • www.coram.co.uk