

# SIDE PANEL

## DIMENSIONS

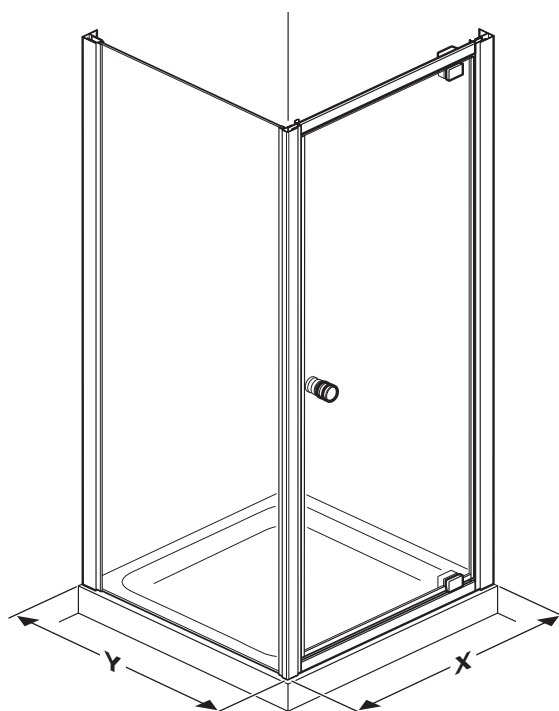
Check the enclosure size in the table below matches the showertray installation.

**700 Panel Y** = 677 - 697mm

**760 Panel Y** = 737 - 757mm

**800 Panel Y** = 777 - 797mm

**900 Panel Y** = 877 - 897mm



## DIMENSIONS

Check the enclosure size in the table below matches the showertray installation.

**700 Door X** = 665 - 700mm

**760 Door X** = 725 - 760mm

**800 Door X** = 765 - 800mm

**900 Door X** = 865 - 900mm

**1000 Door X** = 965 - 1000mm

**1200 Door X** = 1165 - 1200mm

***Please read these instructions carefully and keep for future reference.  
Incorrect fitting will invalidate the guarantee.***

## SAFETY

- Handle glass with great care. Although the glass is very tough, sharp impacts can damage both the glass and metal frame.
- Make sure there are no hidden pipes or cables hidden in the wall where you intend to drill.
- Wear safety goggles, shoes and appropriate clothing.

## BEFORE INSTALLATION

- Check that the shower tray is level in all directions. The enclosure will not sit correctly on an uneven surface. If uneven, the wall channels may not fit and the doors may not shut correctly.
- The shower tray and the enclosure must match in size. Attempting to fit the incorrect size of enclosure to the shower tray will result in water leaks.
- The enclosure should be fitted on tiled walls which are sealed with waterproof grout. There must be a good silicone seal between the rim of the shower tray and the wall.
- Always check very carefully that components are vertical.

### Equipment needed:

Drill, 6.5mm Masonry Bit, 4.5mm & 3mm Metal Bits (general), Crosshead Screwdriver, Spirit Level, Pencil, Silicone Sealant, Tape Measure, Masking Tape.

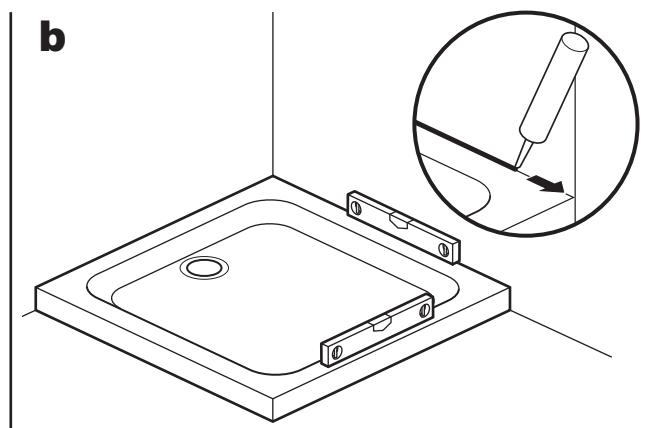
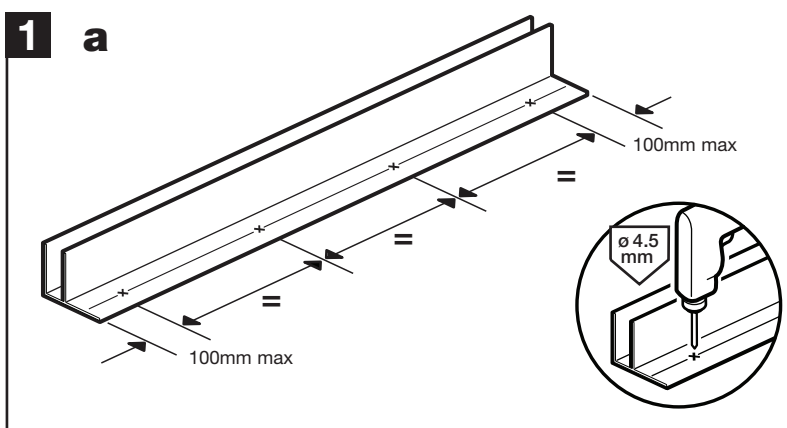
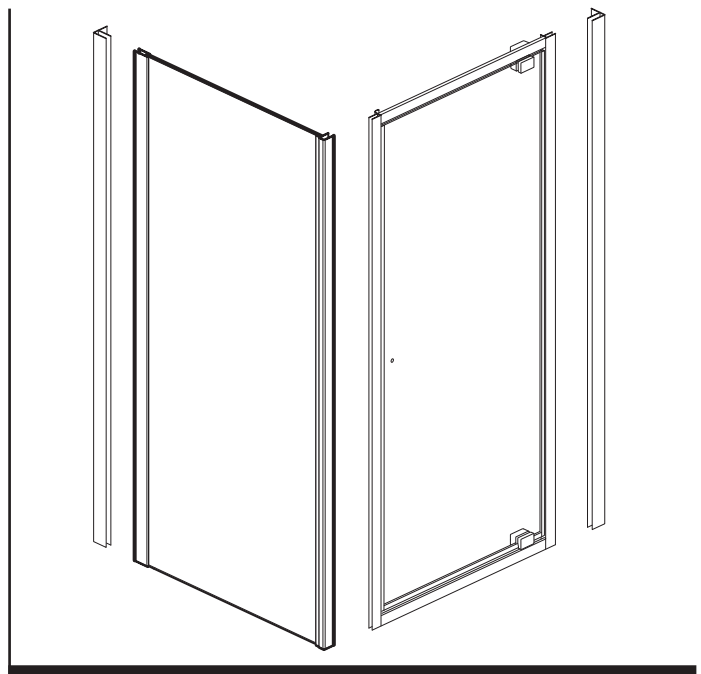
**Note:** The screws and wall plugs supplied are for masonry walls. For lightweight walls i.e. stud partition, plasterboard etc, use the correct type of fixings.

**CUSTOMER CARELINE 01746 713410**

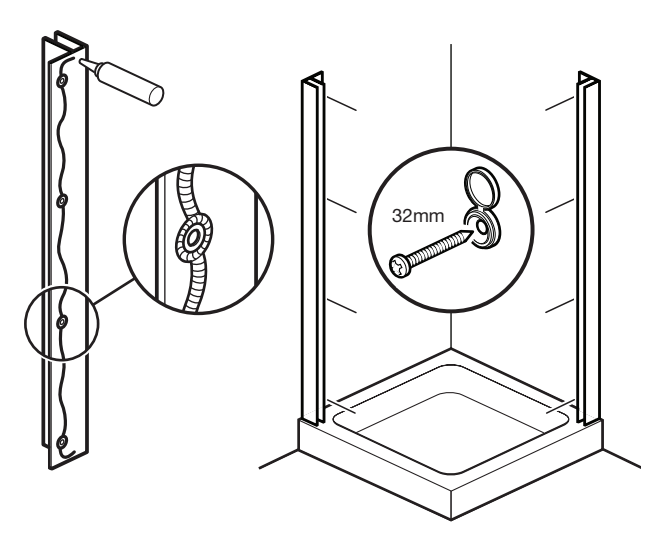
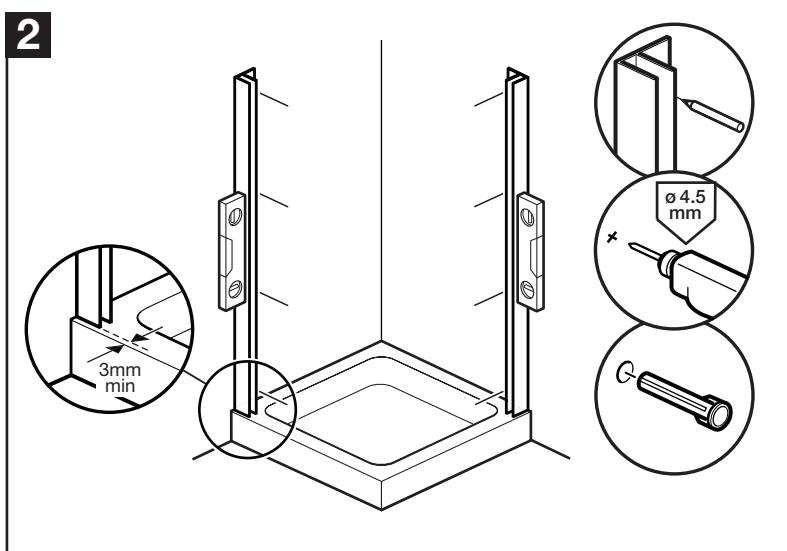
Check contents of pack before installation.  
If there is anything missing, contact our Customer Careline for assistance.

**CUSTOMER CARELINE: 01746 713410**

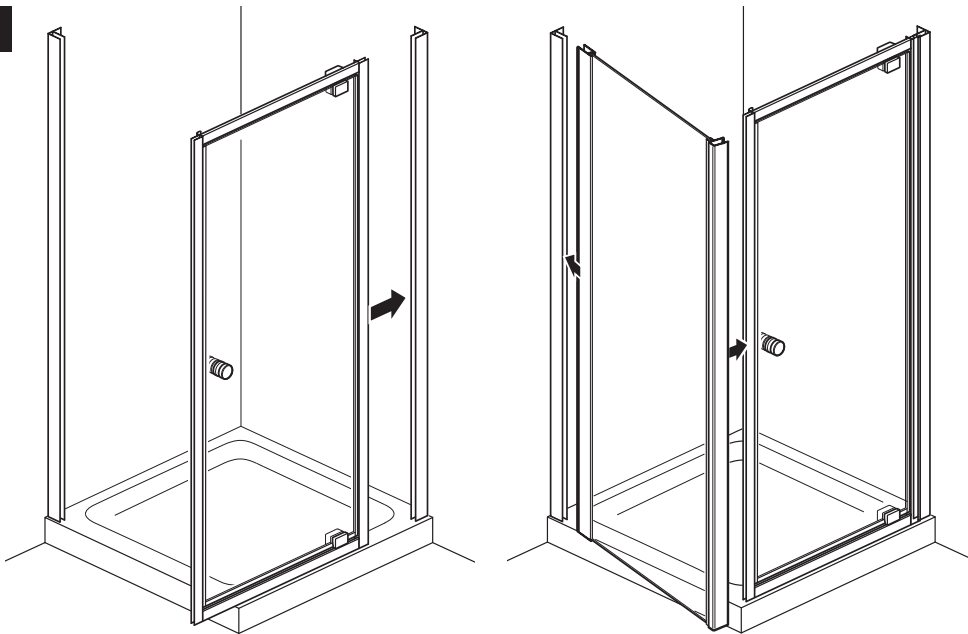
	PN3222	3
	10mm PN4748	3



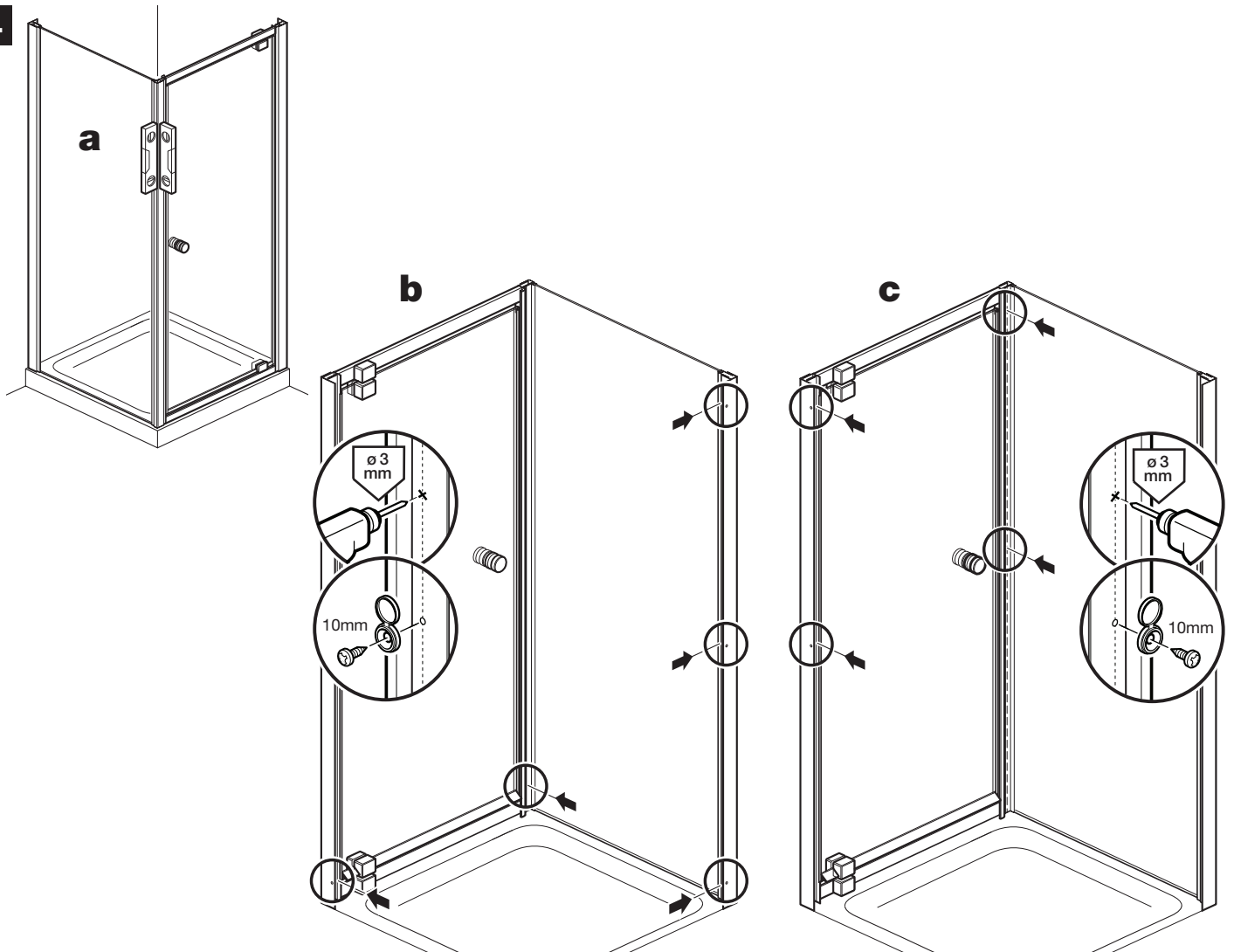
**a:** Drill holes in both wall channels (PN10675) at points shown using a 4.5mm drill bit, through the edge shown and in the grooves.  
**b:** Ensure the shower tray is level in all directions. **IMPORTANT:** Clean the tray and seal the gap between the tray surface and tiles. It is important that the tray is sealed right up to the tray edge so that the bottom of the wall channel is sealed. Failure to do this will cause water to leak under the wall channel and between the tray and tiles, resulting in damp patches on the wall and under the tray.



Place wall channels on the tray ensuring they are vertical and a minimum of 3mm back from the front edges of tray. Place masking tape against the wall before marking the drill hole positions. This will prevent the drill bit slipping. Drill 6.5mm holes, 30mm deep and insert wall plugs.  
Apply sealant to back of wall channels. Fix to wall using 32mm screws and screw caps.

**3**

Insert your door into wall channel (Pivot Door shown). Insert side panel into the wall channel and into the door.

**4**

**a:** Check that the enclosure is perfectly vertical and the door is square within the frame (see Door instruction).

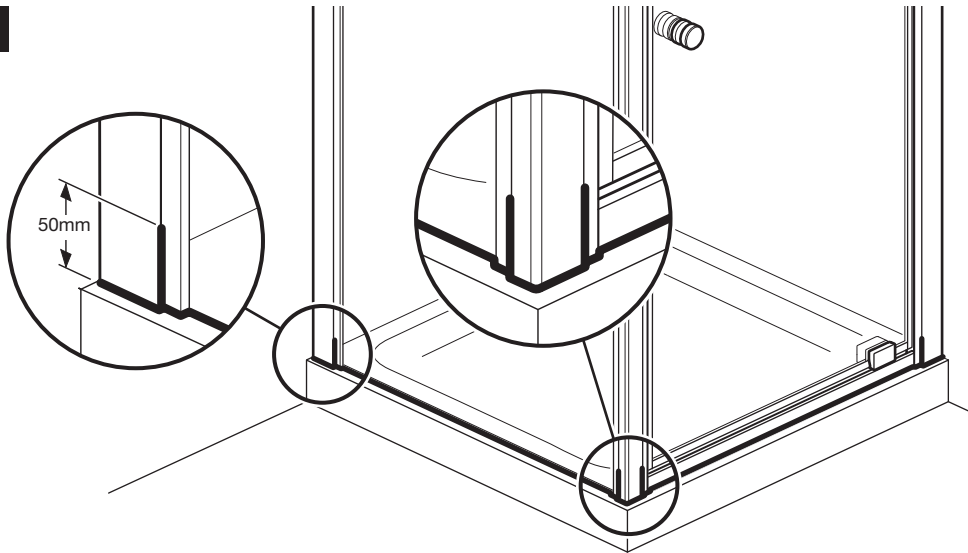
**b:** Drill inside of wall channels and corner post using 3mm drill bit in the 5 positions shown. **DO NOT** drill too deep. Fix using 10mm screws and screw caps.

**c:** Check that the enclosure is perfectly vertical and the door is square within the frame.

Drill the next four holes in the upper positions shown inside of the wall channels and corner post using 3mm drill bit.

**DO NOT** drill too deep. Fix using 10mm screws and screw caps.

5



See Door instruction for final adjustment etc.

**From the outside only,** apply sealant to the bottom of the enclosure and 50mm up the wall channels and centre post as shown.



#### CARE AND MAINTENANCE

**IMPORTANT:** You must not use the shower for 24 hours after installation of the enclosure.

**DO NOT** use bleach, scouring powders, solvents or other aggressive cleaning agents. To clean, use warm soapy water and a clean cloth and rinse off.

#### CORAM SHOWERS LIMITED

Stanmore Industrial Estate, Bridgnorth, Shropshire WV15 5HP, UK • Tel: 01746 766466 • Fax: 01746 764140

[www.coram.co.uk](http://www.coram.co.uk)