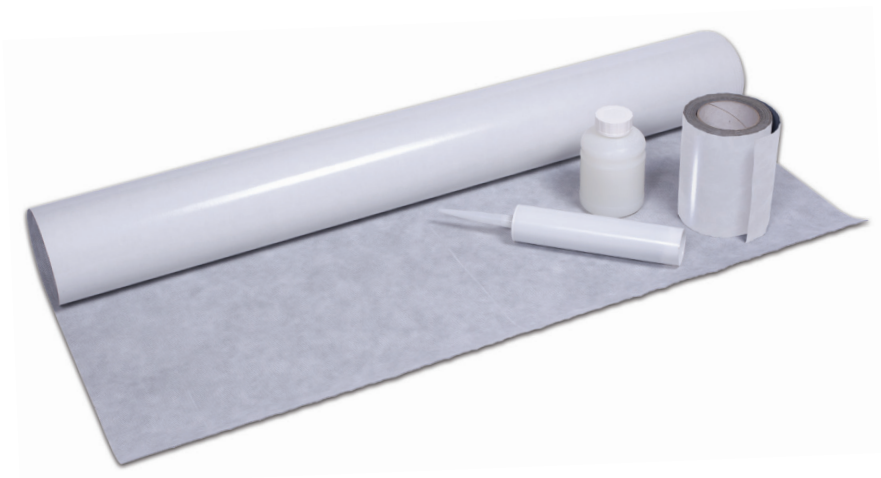


CONTOUR FLOOR MEMBRANE 10M² KIT

INSTALLATION GUIDE



1. USES

Contour Floor Membrane is a self-adhesive waterproof membrane designed for use prior to the application of ceramic or porcelain tiles and natural stone onto timber and solid floors in wetrooms and other critical areas.

Floorsafe is comprised of a 1mm thick butyl layer with a fleece top surface.

2. ELEMENTS

10m² Contour Floor Membrane kit

- 10m x 1m roll of Membrane
- 15m Reinforcing Tape
- 1 Ltr Primer
- 310ml Jointing Compound
- 4 Pre-formed Internal Corners



3. APPLICATION - A STEP BY STEP GUIDE

Please ensure that you read these instructions in full before commencing work. The complete system should be applied strictly in accordance with these instructions.

Surfaces must be smooth, solid and sound. Ensure all surfaces are clean, dry and free from dust, grease, oil etc. and free from all contaminants. Oily or greasy surfaces should be cleaned with a suitable proprietary cleaner and thoroughly rinsed and allowed to dry.

Ensure that both the primer and membrane are compatible with any existing coatings. If in doubt please refer to the manufacturer.

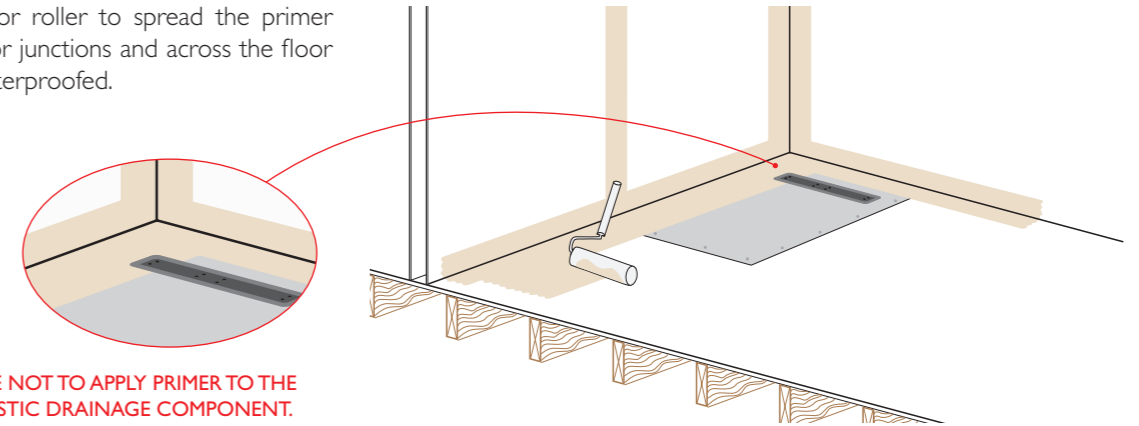
The upper side of the reinforcing tape is covered with a lightweight fleece, the lower side is protected with pre-cut backing paper.

Care should be taken to ensure the ambient room temperature is at least 10°C. Conditioning of the membrane in a warm area prior to use will enhance its adhesion properties during the application process.

The membrane can be tiled onto immediately however it will take 48 hours to achieve its full bond strength.

1 PRIME FLOOR

Use a brush or roller to spread the primer along wall-floor junctions and across the floor area to be waterproofed.



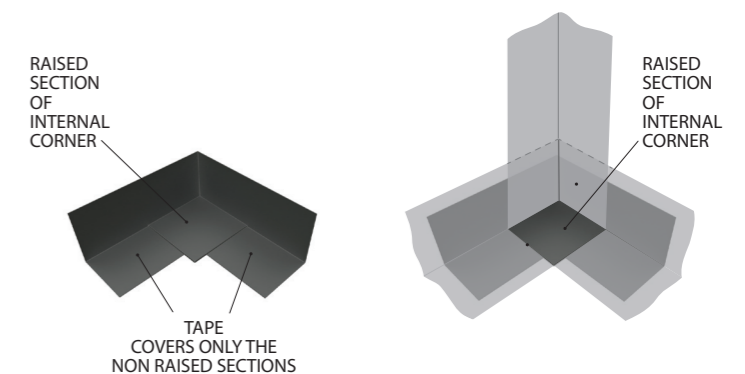
NB - TAKE CARE NOT TO APPLY PRIMER TO THE ABS BLACK PLASTIC DRAINAGE COMPONENT.

2 PRE-FORMED INTERNAL CORNER

Apply a small bead of the jointing compound to the back of the pre-formed corner and place into position, pressing firmly into place.

Alcohol wipe the surface of the pre-formed corner before applying the reinforcing tape.

Before applying the reinforcing tape (see next section) ensure that it is cut square in order for it to butt up neatly to the tape stop (see diagram to the right).

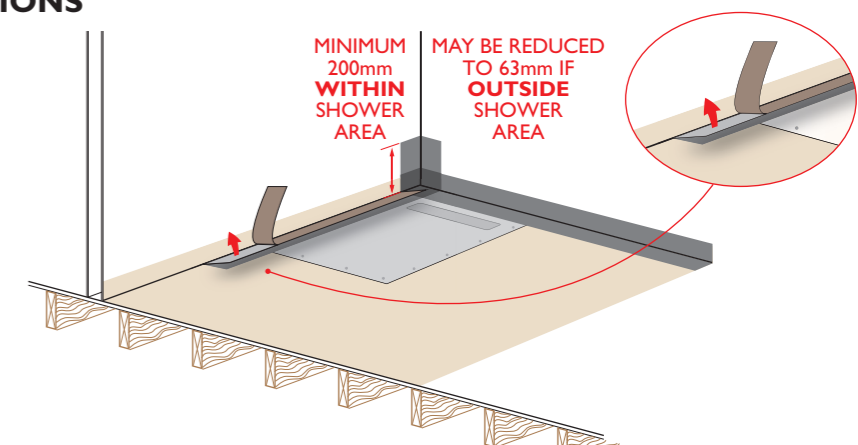


NOTE: The reinforcing tape should not be applied over the raised section of the pre-formed internal corner. **NB Do not apply primer to the pre-formed internal corner.**

3 TAPE WALL-FLOOR JUNCTIONS

Apply reinforcing tape to all wall-floor junctions as follows:

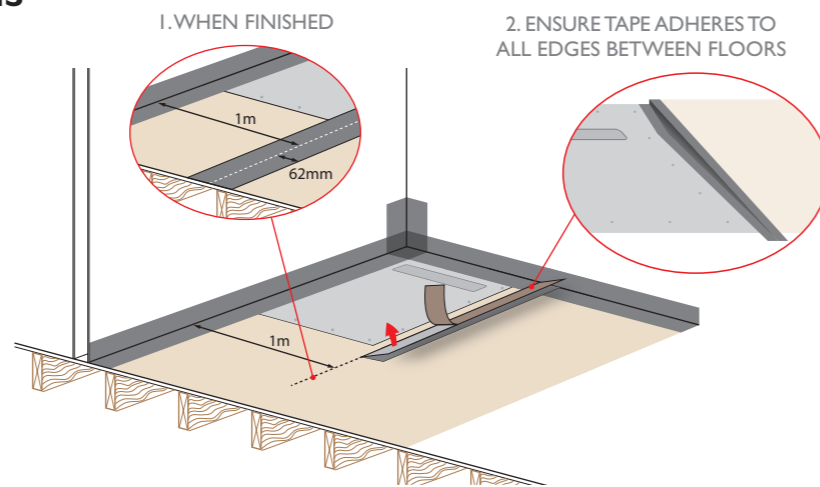
- Cut tape to required length.
- Fold in half along the pre-scored line ensuring that the backing paper is visible on both sides. Offer up to the wall, with the fold towards the wall.
- Remove upper half of backing paper and stick to wall.
- Lift up lower lip, remove backing paper and stick to floor.
- Repeat this process until all wall-floor junctions have been taped.
- Apply a minimum 200mm strip of reinforcing tape (within the shower area) vertically to all corner wall/wall junctions.



4 TAPE MEMBRANE JUNCTIONS

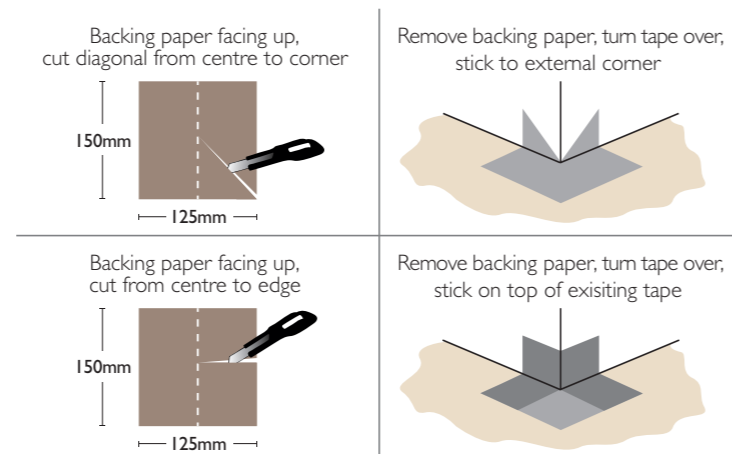
Ensure reinforcing tape is applied to the floor where membrane sections will meet:

- Measure width of the membrane (diagram shows membrane width of 1m)
- Cut reinforcing tape to the required length for the area being waterproofed (width of room, if whole room is to be waterproofed).
- Position reinforcing tape so that when overlaid, each section of membrane will overlap tape by 62mm (see 1. in diagram).
- Remove backing paper and stick tape down, ensuring tape adheres into corners at the side of the shower area (see 2. in diagram).
- Repeat floor taping until all membrane junctions have been covered.



5 TAPE EXTERNAL CORNERS

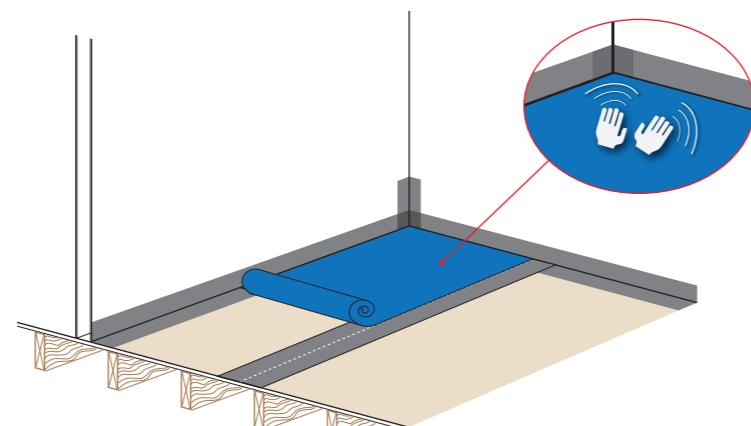
Use reinforcing tape to make up two sections to cover an external corner according to the steps in the diagram.



6 LAY FLOOR MEMBRANE

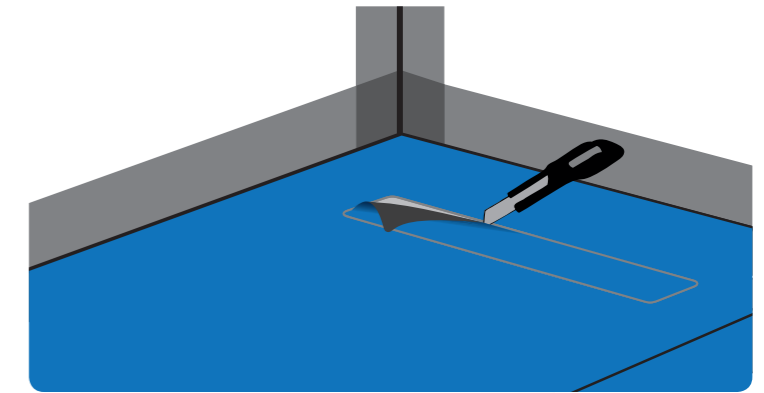
Lay membrane onto wetroom floor as follows:

- Cut membrane to required length.
- Wipe the surface of the drainage component with alcohol wipe BEFORE applying the membrane.
- Ensure the surface of the previously applied reinforcing tape are clean & dust free before applying the membrane.
- Score and remove 150mm of backing paper from end of membrane roll and turn over so backing faces floor.
- Position sticky edge of membrane into the corner and smooth out any air pockets.
- Roll up membrane into the corner.
- Slowly un-roll membrane away from the wall, removing the backing paper as you go, sticking it to the floor and smoothing out any potential air bubbles.
- Repeat process until the membrane covers the required area.



7 CUT TO REVEAL DRAIN

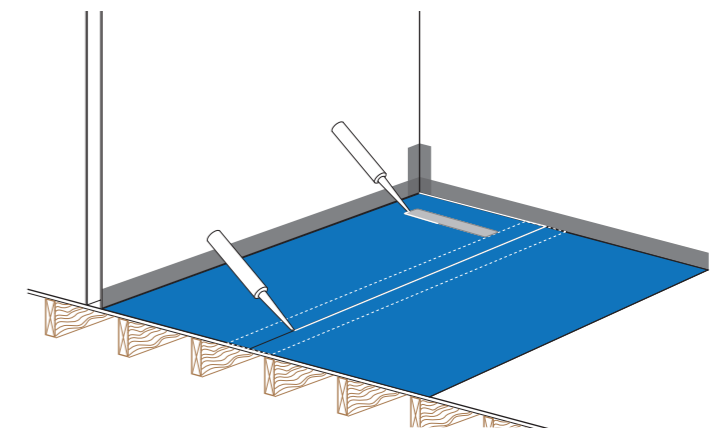
To reveal drain, use a sharp knife to carefully cut around the **INNER EDGE** of the base component, then remove the membrane from the inner section of the base component.



8 APPLY JOINTING COMPOUND

When all of the floor area has been covered with membrane, the floor is then ready for the application of the jointing compound.

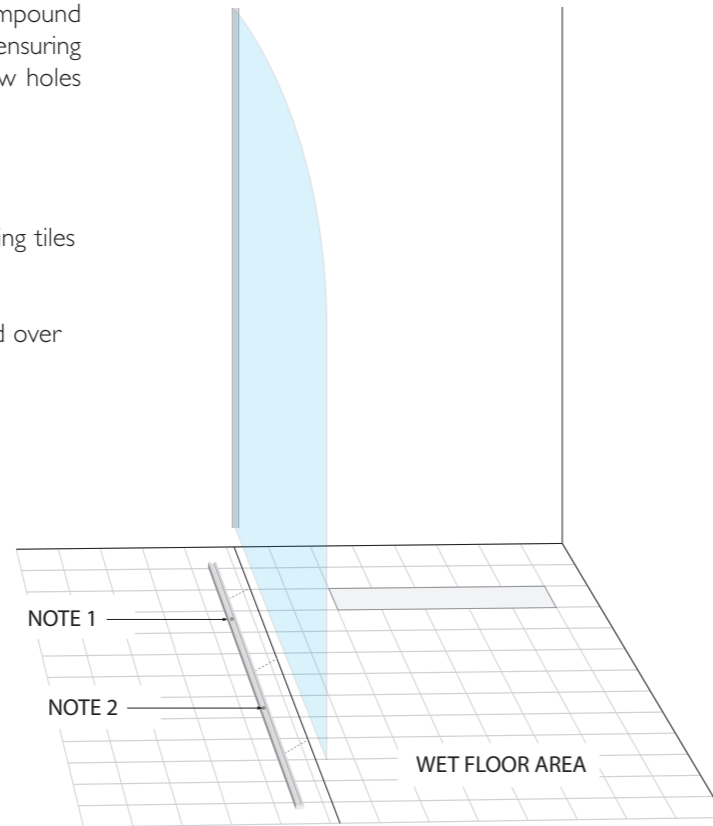
- Using an applicator gun, apply jointing compound to:
 - All butt joints (see diagram)
 - Pipe penetrations
 - Perimeter of drain (see diagram)
 - All wall to wall and wall to floor junctions.



The waterproofing process is now complete and the floor is ready for tiling / floor covering.

4. INSTALLING A GLASS SCREEN ONTO MEMBRANE

1. Apply a thin bead of the Contour Jointing Compound supplied onto the bottom of the glazing channel, ensuring an additional amount is applied around the screw holes (see **NOTE 1** in drawing).
2. Position the glazing channel onto the floor.
3. Carefully screw into place, taking care when drilling tiles to avoid any obstructions under the floor.
4. Apply a bead of the Contour Jointing Compound over the screw heads (see **NOTE 2** in drawing).
5. Install the glass screen.



5. TECHNICAL DATA

Contour Floor Membrane a unique, pre-formed flexible self-adhesive waterproof membrane.

It is ideal for use on substrates such as timber, masonry, concrete, plasterboards, gypsum and existing ceramic or natural stone. Once applied, **Contour Floor Membrane** is ready to tile immediately, however it will take 48 hours to achieve its full bond strength.

Contour Floor Membrane is cold applied, consisting of a 1mm thick butyl waterproof layer, incorporating a fleece on one side.

It has been developed for use prior to the fixing of ceramic or porcelain tiles and natural stone and is applied using a flexible rapid-set tile adhesive, which keys to the fabric. As the adhesive dries it forms a strong permanent bond to the membrane.

Contour Floor Membrane and ancillary products should be stored in the original cartons, kept upright, out of direct sunlight and below 35°C to protect it from frost. Cartons should not be over stacked.

Contour Floor Membrane PERFORMANCE & COMPOSITION

| | |
|---|-------------------------------|
| Membrane thickness | 1mm |
| Joint Tape thickness | 1mm |
| Tensile Strength (ASTM D3759) | 140N /5cm - (Cross Direction) |
| Elongation at break (ASTM D3579) | 120% - (Cross Direction) |
| Peel Adhesion at 180° angle (ASTM 3330) | ≥ 11N/mm |

6. WETROOM WATERPROOFING SPECIFICATION

TIMBER FLOORS (SMALL EN-SUITE)

Contour Floor Membrane should be applied, in accordance with the manufacturer's recommendations, to the entire floor area. Additional Contour Reinforcing Tape should be applied to all wall to wall junctions, soap recesses etc, within the shower area.

All pipe penetrations should be sealed with Contour Jointing Compound.

LARGE TIMBER FLOORS AND SOLID FLOORS

Contour Floor Membrane should be applied, in accordance with the manufacturer's recommendations, to the floor area finishing a minimum of 1 metre outside the shower area in all directions. Additional Contour Reinforcing Tape should be applied to all wall to wall junctions, soap recesses etc, within the shower area.

All pipe penetrations to be sealed with Contour Jointing Compound.

TECHNICAL HELPLINE
CALL: 0845 402 9924

Contour Showers

Contour Showers,
Siddom Street,
Winsford,
Cheshire
CW7 2BA

t: 01606 592586
f: 01606 861260

e: sales@contour-showers.co.uk
www.contour-showers.co.uk