

CTW01 - Contour Shower Trap For Sheet Flooring

PLEASE READ PRIOR TO USE

INSTALLATION & MAINTENANCE INSTRUCTIONS

SHOULD ONLY BE INSTALLED BY COMPETENT PLUMBERS OR SPECIALIST FLOORING CONTRACTORS.

CTW01 SHOWER TRAP DETAILS

- 2 part, 50mm water seal trapped waste for use with a floor former.
- Bolts together for easy installation.
- Removable inner cup for cleaning.
- Tested in accordance with EN 274-1:2002 & EN 274-2:2002.
- Flow rate in excess of 26 litres per minute.
(This will be impaired if an adequate fall is not maintained in the length of the waste pipe).
- 1½" outlet.

| Description | Reference |
|-------------------|-----------|
| CTW01 Shower Trap | 08CTW01 |

2 PART TRAP

The CTW01 has been specifically designed for use with a floor former. The removable flange allows easy connection of the discharge pipe to the outlet.

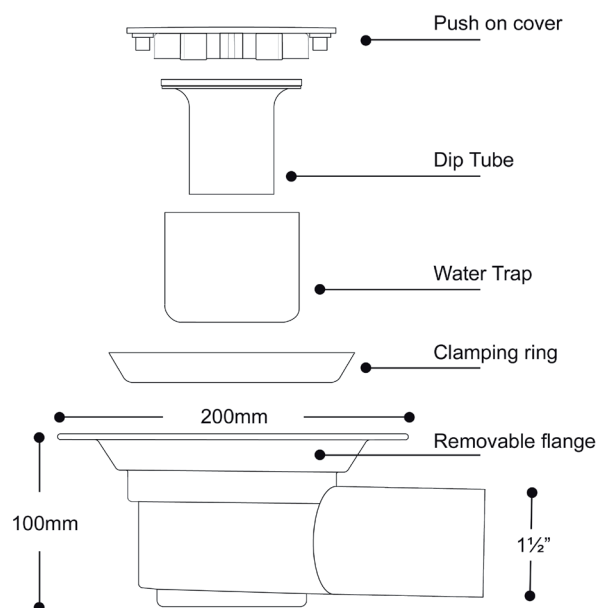
The floor former can then be placed in position over the trap body and the flange connected to the trap through the hole in the floor former with the 4 x M6 screws provided. The floor former should be installed as per the manufacturers instructions.



DUST COVER

The trap is fitted with a dust cover to prevent unwanted debris or possible obstructions falling into the trap body during installation.

This should remain in place during your installation and removed only once the floor covering has been laid and the installation is complete.



CTW01 - Contour Shower Trap For Sheet Flooring

PLEASE READ PRIOR TO USE

IMPORTANT NOTE

The integrity of the trap is dependent on a good seal between the underside of the sheet flooring and the trap body. Whilst many sealants and mastics are available for this purpose, care should be taken to use only a neutral sealant.

Acetoxyl sealants must not be used, as they may be detrimental to the plastic used in the manufacture of this gully.

INSTALLATION INSTRUCTIONS

1. Unpack the box and check contents.
2. Remove from the trap body the push on cover plate, clamping ring, dust cover, dip tube and water trap and keep safe until required.
3. The traps flange is also removable to assist with installation. Remove by unscrewing the 4 x M6 csk bolts, **SEE FIG 1 & OVERLEAF.**
4. **Wooden floor installations only:** Cut a hole to accommodate the trap body (max 160mm diameter).
5. Set trap body into the floor ensuring the top surface of the trap flange is flush with, or slightly below the floor surface on to which the sheet flooring is to be laid. **SEE FIG 1.**
6. Connect and solvent weld discharge pipe to the trap outlet and test the drainage system for air and water tightness.
7. **Concrete floor installations only:** Fill any voids around the trap body ensuring it is fully supported and **NOT** solely supported by the trap flange.
8. Re-attach the dust cover and clamping ring.
9. **Floor Formers (Eco-dec / Shower-dec) or Wooden floors:** Run a bead of silicone sealant around the outer edge of the floor formers waste hole or hole in the floor to form a seal between the two surfaces.
10. Secure trap to floor former or floor surface by drilling out indentations in the flange with a 5mm drill and fix with 4 x No.8 stainless / plated countersunk head screws (not supplied). **SEE FIG 2.** Ensure that the trap body is fully supported and **NOT** solely supported by the trap flange.
11. Remove the clamping ring and dust cover. Lay sheet flooring and carefully cut a hole 110mm in diameter directly over the centre of the trap.
12. Ensure a watertight seal is obtained between the underside of the sheet flooring and the trap flange with adequate use of an appropriate neutral sealant. **Do not use acetoxyl sealant.**
13. Clamp the sheet flooring to the trap by securing the clamping ring with the 4 x M6 stainless steel screws.
14. Inspect inside the trap body to ensure it is clean and free of debris. Relocate the water trap, dip tube and push on cover. Re-test the system for air and water tightness.



ROUTINE MAINTENANCE & CLEANING IS REQUIRED AS FOLLOWS:

- Remove the push on cover plate and take out the dip tube and water trap.
- Flush and clean the trap body with clean water and remove any hair / debris / build up. Clean all the parts that you have removed and inspect their condition.
- Lubricate all parts with a quality silicone lubricant and re-assembly in reverse order as described ABOVE.
- We recommended that this procedure should be carried out at least every 2-3 months. However, more frequent maintenance may be required depending on individual circumstances.

