

# Fitting Instructions

## Eagle Two

### Bath Replacement Shower Tray



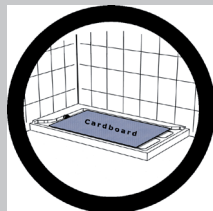
Eagle Two  
Tray not handed

**The Eagle Two tray can be cut to length. It is advised you determine this size before you start your installation.**

Tray	Length	Width	Cut Down To
ET745	1850mm	745mm	minimum 1500mm
ET845	1850mm	845mm	minimum 1500mm



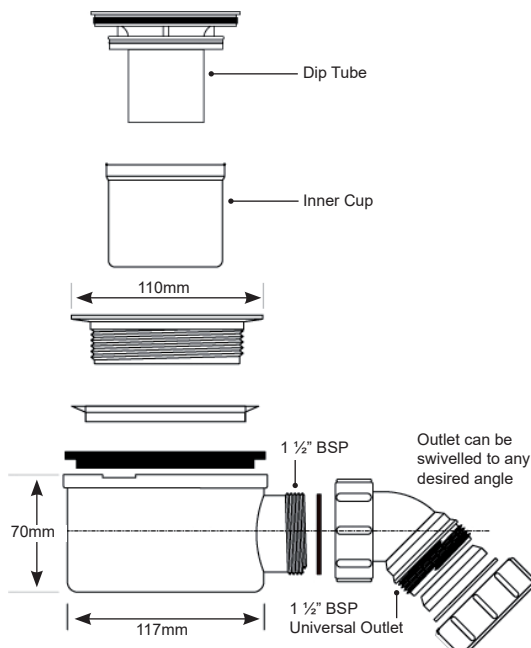
We **DO NOT** approve the use of power showers in special needs shower trays



**IMPORTANT** to protect the shower tray from being marked whilst being installed, please cover with a cardboard covering



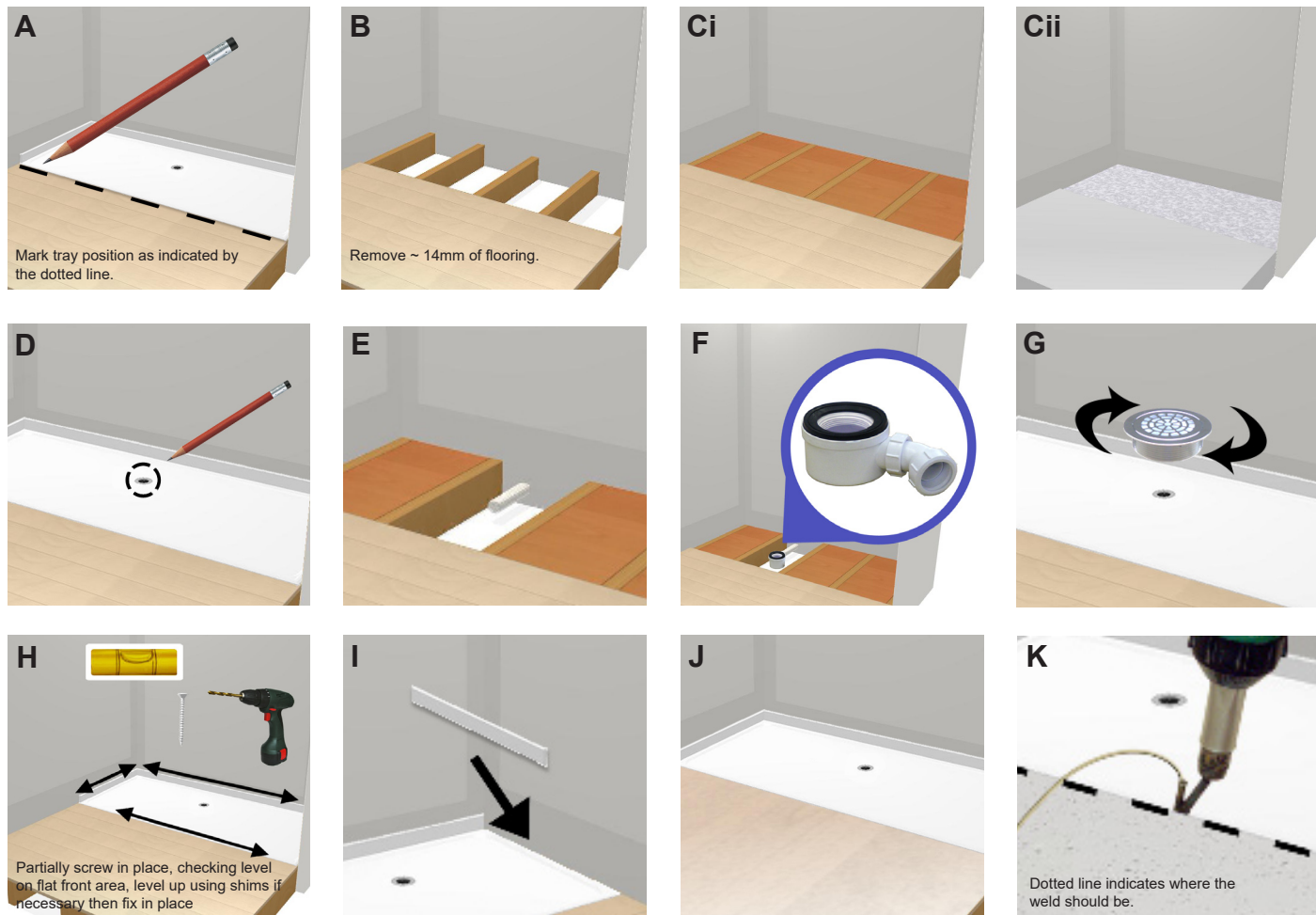
For technical assistance with your installation or any other technical help please call: **0845 402 9924**



#### ST90CPB-P-70 Gravity Waste

- Standard trap with 50mm water seal for use with a shower tray with a 90mm diameter waste.
- Only 70mm in depth.
- 110mm Chrome plated, brass flange and petal grid fitting.
- Flow rate approximately 35 litres per minute.
- 1 1/2" multi fit outlet, which can be swivelled to any desired angle.
- Simple to install.

# Eagle Two Tray Fitting Instructions



1. Locate the Eagle TWO in the corner to which it is going to be finally positioned and mark lines around the outer edge. (See A)

2. Excavate within your marked area to a sufficient depth of approximately 14mm to accept the tray.  
**You may need to remove plaster from the wall to accept the tiling lip. You will tile over this later.** Cut the tray to size. (See B).

**NOTE:** There is a steel bar located in the front flat area of the shower tray behind the True Seal. You should cut through this with a hacksaw.

3a. For a wooden floor installation, it is easiest to form a level platform between the joists to ensure the tray is fully supported. (See Ci)

3b. When installing in a solid floor, ensure the tray sits level on the screed. Use a weak sand and cement mix to bed the tray onto and to fill any voids underneath the waste and drying areas. Apply a unibond type sealant to the underside of the tray to achieve good adhesion between the cement & the tray. (See Cii)

**NOTE:** The tray edge and floor must be absolutely level in order to apply your floor covering.

4. Ensure the Eagle Two fits neatly into your recess and mark the shower trap position through the trays waste. (See D)

5. Remove tray. Decide upon the position for the waste pipe. For a solid floor, it may be necessary to remove an area under the tray outlet position to accommodate the trap (approximate trap depth 70mm). (See E)

6. With waste pipework completed, align with tray waste outlet and attach trap body. (See F)

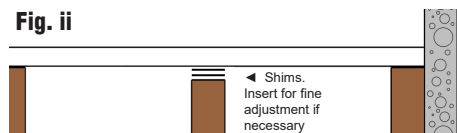
7. Place trap flange through waste outlet of the tray and screw to the trap body using supplied tool at the bottom of the dip tube. (See G)

8. To ensure the tray is level, please use a spirit level on either the rear tiling upstand or the flat area of the tray on which the doors sit. It is advisable to leave a slight slope on the tray from front to back. This will assist drainage. When seated level, pilot drill through the rear tiling lip and secure to the wall.

9. For wooden floors, pilot drill through the True Seal and secure the tray to the joists.

**PLEASE NOTE:**

This procedure can distort the flat area of the tray where the doors sit, especially if the joists are uneven. Use the 'fine adjustment' shims supplied to ensure this area is flat by placing them under the tray if necessary. See Fig. ii



10. Pilot drill through the trays tiling lip to secure to the wall. It may be necessary to pack out behind the trays tiling lip with marine ply to ensure the tiling lip is flush

with the wall ready for tiling. (See H)

11. The end plate is used to conceal the cut end of the tray and to allow you to tile flush into the wall. The end plate fits over the cut end of the tray. Use silicone sealant to form a seal between the tray and the end plate. For increased rigidity, pilot drill through the end plate tiling lip to secure to the wall. (See I)

12. You will need to cover the exposed floor with 1/4" plywood in order to make the floor and True Seal junction level to apply your vinyl sheet flooring onto. (See J)

13. Apply your 2.0mm vinyl sheet flooring as required. Where the sheet flooring is to be anchored to the True Seal profile, the flooring edge should be cut in and hot welded onto the True Seal PVC insert using a hot weld gun. Trim off the excess material after welding. (See K)

**NOTES:**

Bond vinyl sheet flooring using an appropriate adhesive as recommended by the manufacturer

It is important that the True Seal profile is kept clean and that the protective tape remains intact and is not removed until the flooring is ready for bonding.

Vinyl sheet flooring should be welded in accordance with manufacturers instructions.

**YOU ARE NOW READY TO FIT YOUR CHOICE OF FRONT ENTRY SHOWER DOORS.**